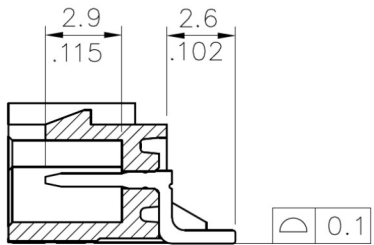
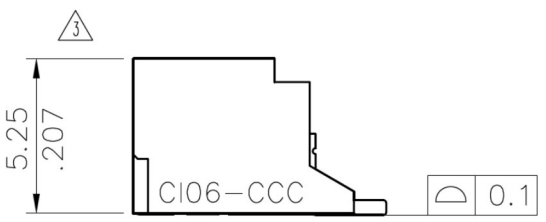
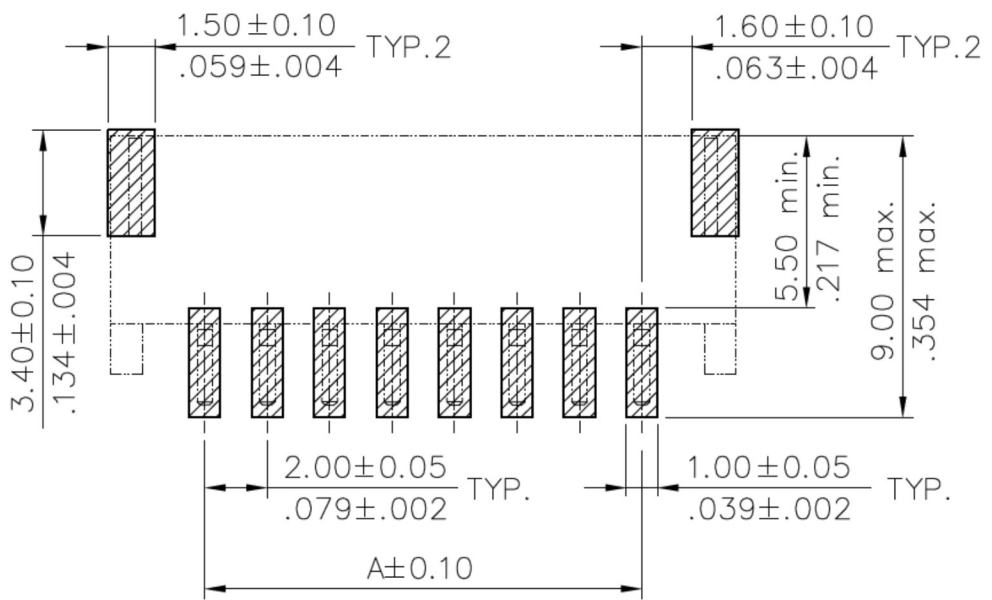
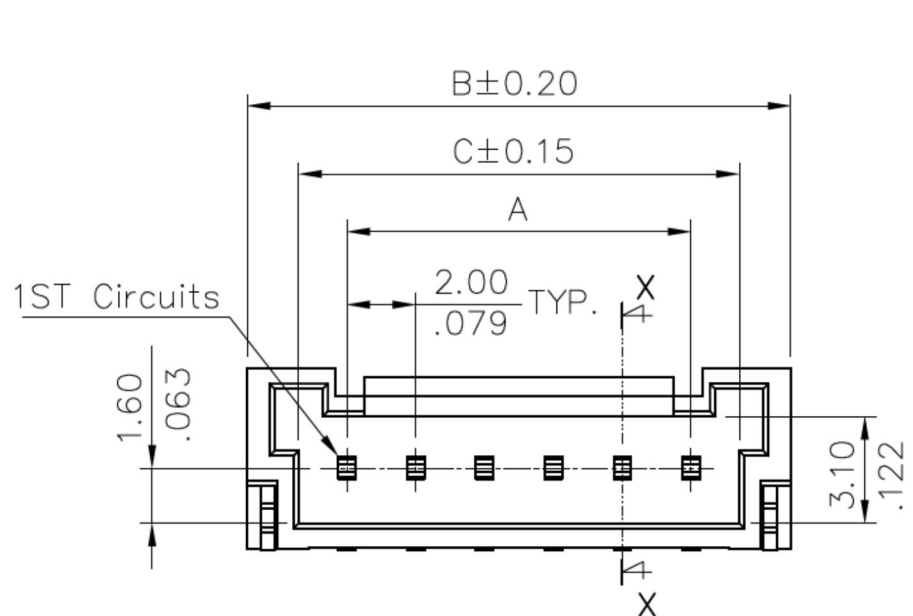
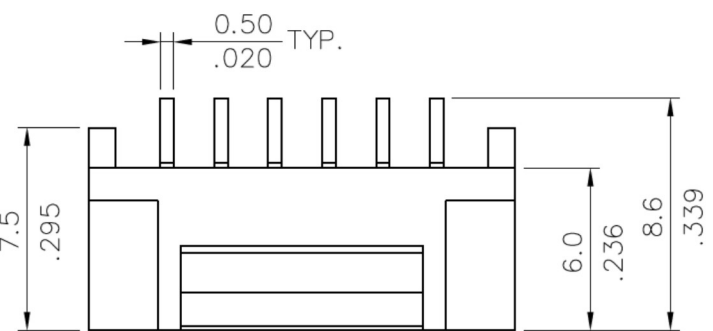


TOLERANCE				
Dim	Circuits	2~6P	7~10P	11~16P
A		±0.10	±0.15	±0.20

Material:
 Insulation: Nylon 6T With 30% GF. 94V-0 ,Color Nature(Halogen-Free)
 Contact: Brass with Matte Tin plated
 TAB: Brass with Matte Tin plated
 For Lead Free IR Reflow Process



SEC.:X-X



RoHS Compliant		SCHMID-M	
APPD.	SCAIF	TOLERANCE XX ± 0.25 XX ± 0.35 ANG. ±	PART NAME T2.00mm Pitch Side Entry SMT Header
DWG. HELGA	UNIT MM	SIZE A 4	PART NO. SM C03 0602 02M1
DATE 2013/10	PAGE 1 OF 1	REV. C	