

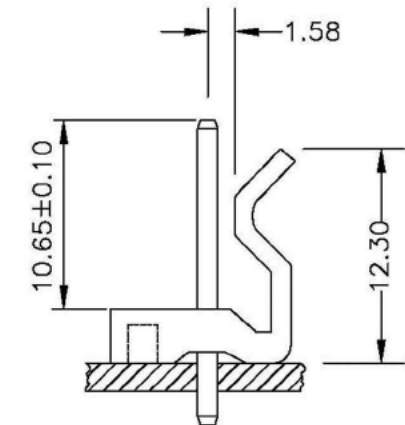
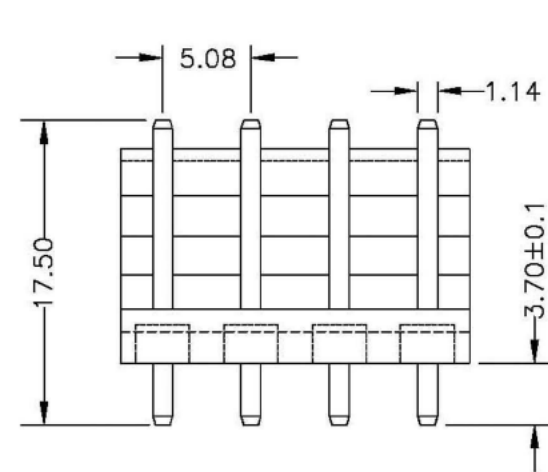
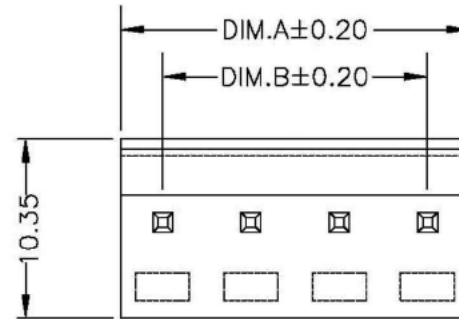
**FEATURES:**

- . 02-20 Circuits
- . .045" [1.14mm] Squire wire pins
- . Nylon, [UL 94V-2]
- . Straight pins

**SPECIFICATIONS:**

- . Current rating: 7A AC. DC
- . Voltage rating: 250V AC. Maximum
- . Temperatur range: -40°C ~+ 105°C
- . Contact resistance: Initial Value/10mΩ max.  
After environmental testing /20mΩ max.
- . Insulation resistance: 5000 MΩ min
- . Withstand Voltange: 1500V AC/minute
- . Applicable PC board thickness: .063"[1.6mm]

PIN	DIM.A	DIM.B	PIN	DIM.A	DIM.B
02	9.91	5.08	12	60.71	55.88
03	14.99	10.16	13	65.79	60.96
04	20.07	15.24	14	70.87	66.04
05	25.15	20.32	15	75.95	71.12
06	30.23	25.40	16	81.03	76.20
07	35.31	30.48	17	86.11	81.28
08	40.39	35.56	18	91.19	86.36
09	45.47	40.64	19	96.27	91.44
10	50.55	45.72	20	101.35	96.52
11	55.63	50.80			



<p>RoHS Compliant</p> <p><b>SCHMID-M</b></p>		<p>TOLERANCE</p> <p>0 ±</p> <p>.00 ±</p> <p>ANG. ±</p> <p>SIZE. A 4</p> <p>REV. A</p>		<p>PART NAME</p> <p>5.08mm WAFER STRAIGHT TYPE W/BACK WHITE COLOR UL94V-0 TIN PLATING XX- number of poles</p>	
<p>APPD. Hedy</p> <p>DWG. Hedy</p> <p>DATE 2017/02/22</p>	<p>SCALE</p> <p>UNIT M M</p> <p>PAGE 1 OF 1</p>	<p>1</p>	<p>2</p>	<p>3</p>	<p>4</p>
<p>PART NO. SM C03 5190 XX SW</p>		<p>5</p>	<p>6</p>	<p>7</p>	<p>8</p>