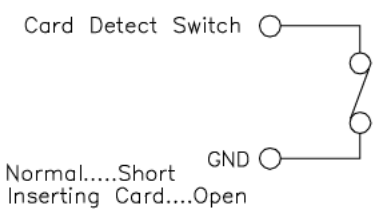
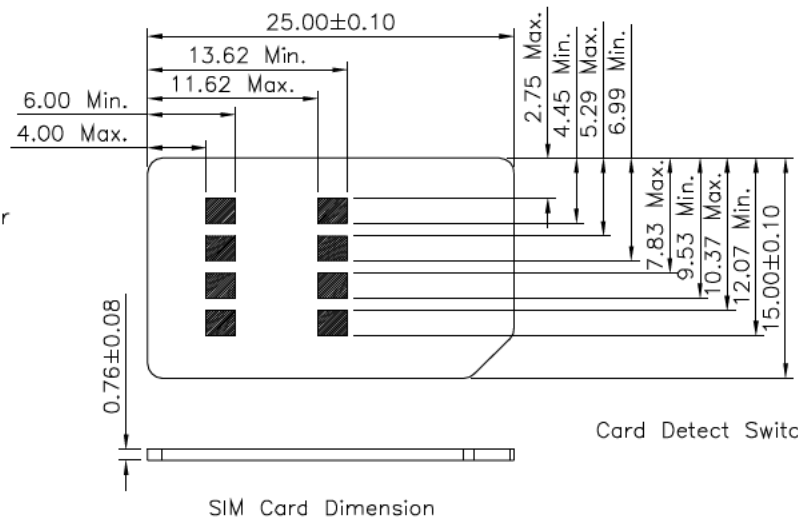
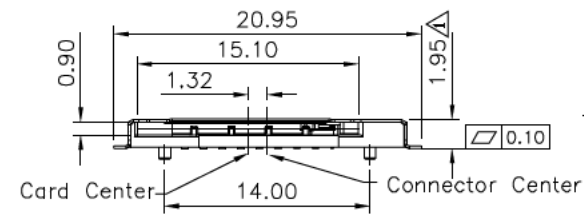


SPECIFICATION

- General Characteristics**
SIM Card Push Push Type 08P SMT 90°
Row Pitch=0mm H=2.0mm Selective Gold Flash New Type Tape & Reel 600 PCS/Reel
- Material&Finish**
 - Insulator:LCP(UL94V-0),Black
 - Terminal:C5210,Gold Flash On Contact Area, Tin Plated On Solder Tails,Over Nickel
 - Shell:Stainless Steel,Gold Plated On Solder Tails,Over Nickel
 - Spring:SWP
 - Hook:Stainless Steel
 - Slider:High Temp. Plastic
 - CD Terminal:C2680,Gold Flash On Contact Area, Tin Plated On Solder Tails,Over Nickel
 - Dummy Card:High Temp. Plastic
- Electrical Characteristics**
Current Rating:0.5 Amp Max.
Withstand Voltage:500V AC At 1mA Max. For 1 Minute
Contact Resistance:100 Milliohms Max.
Insulation Resistance:100 Megaohms Min.At DC 500V
- Mechanical Characteristics**
Mating Cycles:5000 Cycles(Speed:400~600 Cycles/h)
- Environmental Characteristics**
Operation Temperature:-20°C~+70°C
Storage Temperature:-40°C~+85°C
- RoHS Compliant**



Pin No.	Description
Pin 1	VCC:PWR Signal And GND
Pin 2	RST:Reset Signal
Pin 3	CLK:Clocking Signal
Pin 4	Reserved
Pin 5	GND:PWR Signal And GND
Pin 6	VPP:Programming Voltage
Pin 7	I/O:Serial Date Input/Output
Pin 8	Reserved



DRAWING No.		APPROVED BY		UNLESS OTHERWISE SPECIFIED TOLERANCES ARE X ±0.30 X ±0.20 XX ±0.15 XXX ±0.10 ANG. ±2°
SM C06 0521 08 SMT		ME		
		CHECKED BY		
		HZ		
		DRAWING BY		
		CP		
SCALE	NONE	REV.	A1	UNIT
				mm

NO.	REV.	REVISIONS	CHK	DATE
△ A1		Modify Data	HZF	05/10/2017
△ A0		NEW RELEASE	HZF	10/13/2016