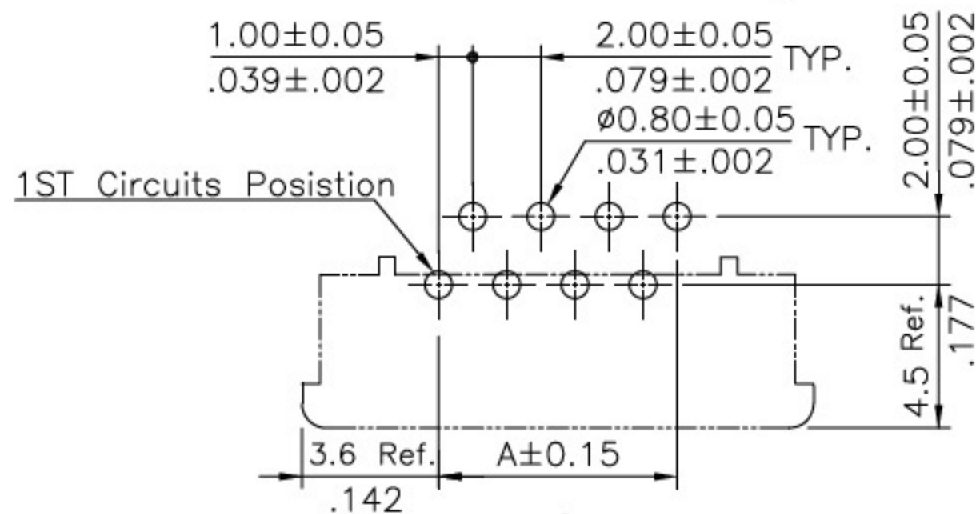


Material:

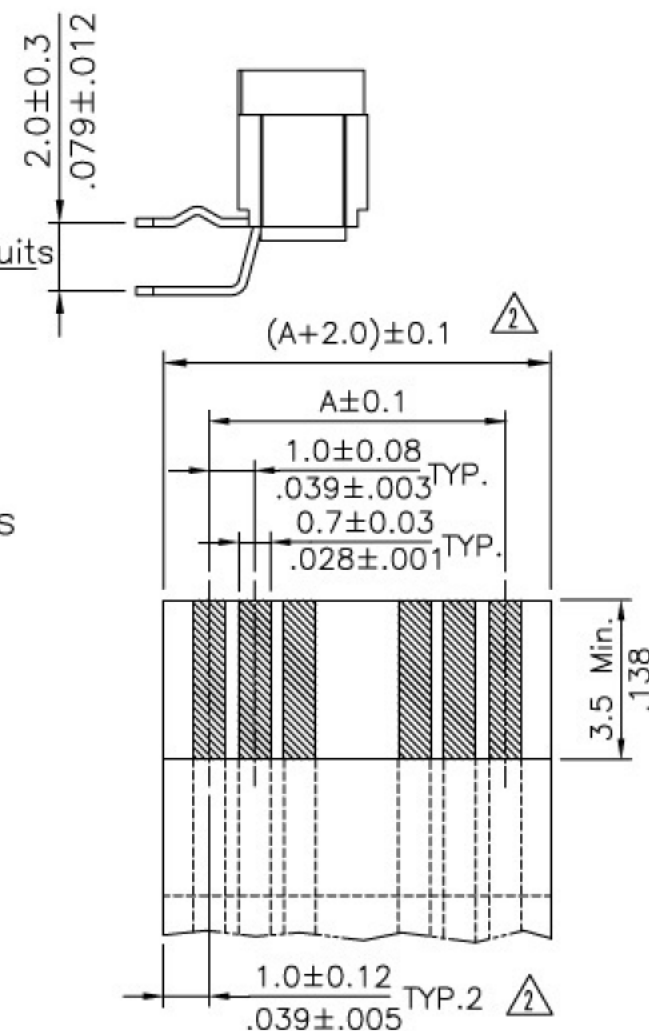
- * Insulation: Nylon 6T UL 94V-0
Color Nature
- * Slider: Nylon 6T UL 94V-0, Color Brown
- * Contact: Phosphor Bronze

A = 1.00 * No. of Spaces
 B = A + 7.2
 C = A + 2.1

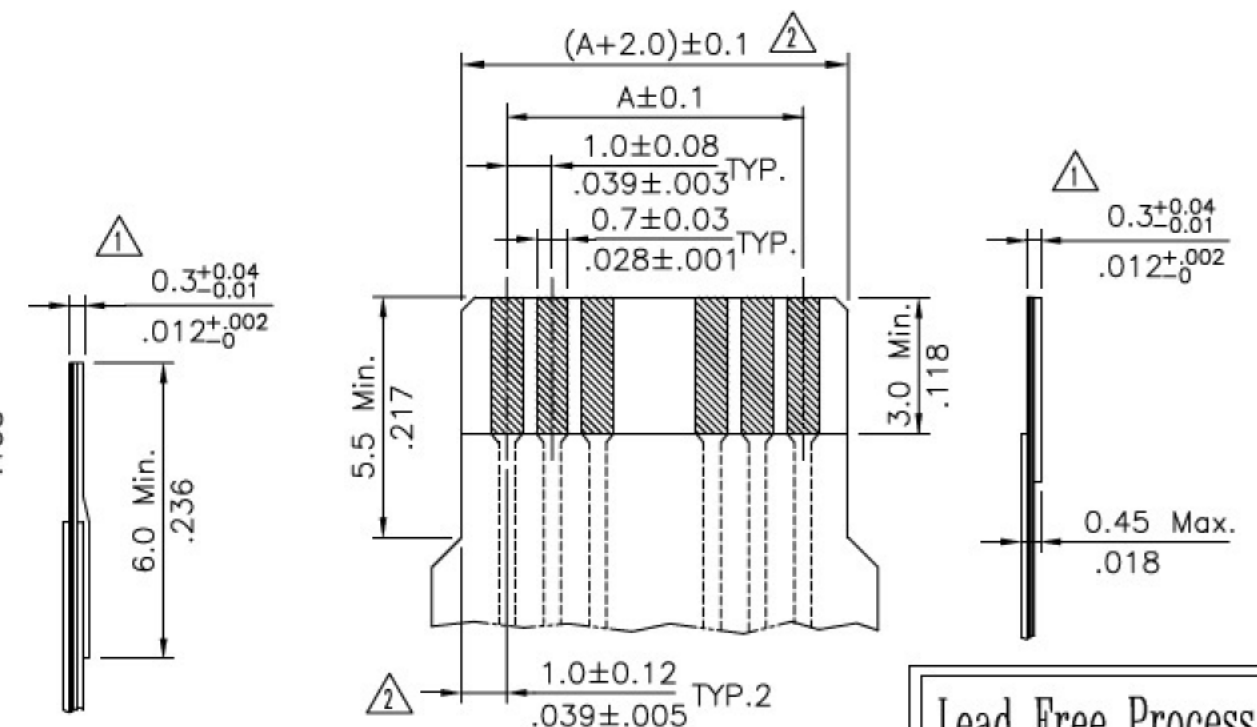
* Available in 4 through 32 circuits



Recommended P.C. Board Layout



* ACCOMMODATED FFC



* ACCOMMODATED FPC

Lead Free Process

RoHS Compliant

4				DATE	UNIT: mm / inch	TITLE: 1.00mm(.039") R/A DIP TYPE ZIF FFC/FPC CONNECTOR (DOWNSIDE CONTACT)	
3			DRAWN BY: Bill	4/10 08'	TOLERANCE UNLESS OTHERWISE SPECIFIED	MATERIAL:	
2			ENGINEER: CLARK	4/14 08'	.X ± 0.15/.006 X' ± 1'		
1			CHECKED BY: David	4/14 08'	.XX ± 0.10/.004 X' ±	FINISH:	
SYM			APPROVED BY: Alex	4/14 08'	.XXX ± 0.05/.002 .XX' ±		
							DRAWING NO. SM C06 3910 08 1DOT0-LF
							SCALE 3 / 1 SHEET 1 OF 1