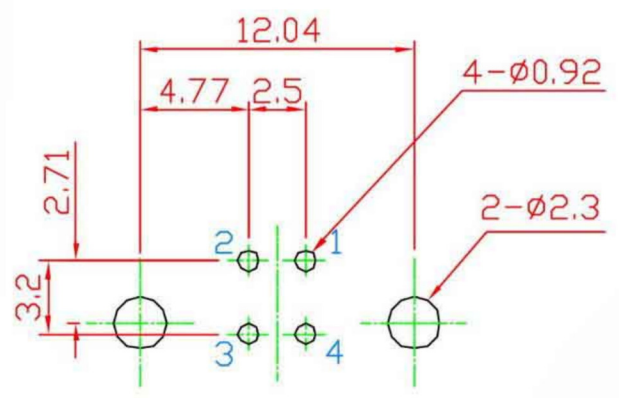


**Specification:**  
 Contact Resistance: 30m Ohm Max.  
 Insulation Resistance: 1000M Ohm Min. At 500VDC.  
 Rated Voltage And Current: 1.5A At 250VAC Minimum.  
 Dielectric Withstanding Voltage:  
 500V AC (rms) for 1 Minute(Rev. 2.0)  
 Durability (Life Test): 1500 Cycles  
 Insertion Force: 35 Newton Maximum.  
 Extraction Force: 10 Newton Minimum.



(COMPONENT SIDE)  
PCB LAYOUT

NO.	NAME	MATERIAL	FINISH	REMARK	Q'TY
1	HOUSING	PBT G.F.	BLACK		1
2	PIN TERM.	PHOS. BRONZE T:0.25	GOLD/TIN PLATED	Gold:30u", NI:40~60u", TIN:20u" (100% pure Tin of lead free plating)	4
3	SHELL	BRASS T:0.3	NICKEL PLATED	NI:80~120u"	1
4	BOTTOM COVER	PBT G.F.	BLACK		1

RoHS  
Compliant

**SCHMID-M**

APPD.	SCALE	TOLERANCE
DWG. HELEN	UNIT	.0 ± 0.25 .00 ± 0.13 ANG. ±
DATE 2011/11/21	M M	A 4
PAGE 1 OF 1	REV.	A

**PART NAME**  
 USB B TYPE DIP TYPE 4P FEMALE 180°  
 NICKEL SHELL SELECTIVE GOLD  
 PLATING BLACK COLOR ROHS  
**PART NO.** SM C04 8317 04 BFS