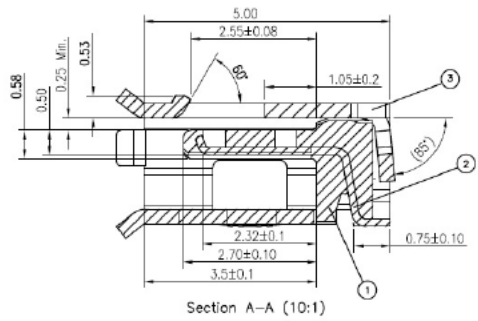


Note:

1. This product is enable to mount both USB-IF Recommended PCB pattern
2. Coplanarity: The dimension between flat tool and when connector put on the flat tool like PCB Signal contact ter solder tail: Max 0,08mm Metal tab: Max 0,1mm
3. The "B" is meant lead free and can withstand expose to 260° C peak temperature for 10 seconds in IR reflow process.



Item	Description	Material	Finish	Q'Ty
1	HOUSING	THERMOPLASTIC + GF	BLACK	1
2	CONTACT	COPPER ALLOY	PLATING: Au PLATED OVER NICKEL OVERALL	5
3	SHELL	STANLESS STEEL	PLATING: TIN OVER NICKEL OVERALL	1

RoHS Compliant

SCHMID-M

APPD. David
DWG. Braun
DATE 2017/04

SCALE 5:1
SIZE A4
PAGE 1 OF 1

Tolerance
X ±0.38
XX ±0.25
XXX ±0.10
0° ±2°

PART NO:
SM C04 8367 05 B
TITLE:
Micro USB B SMD REEL