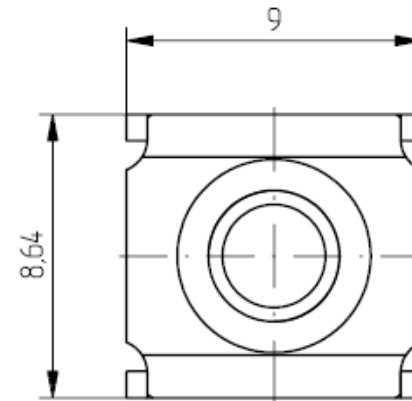
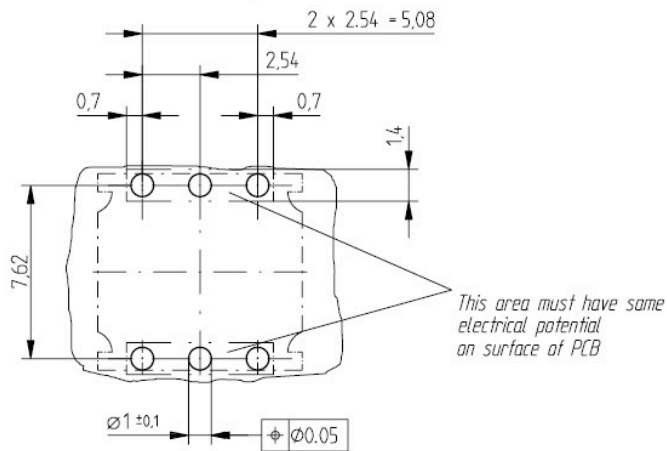


PCB drillhole pattern

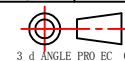


Unless otherwise specified tolerance
 X. ±0.35 X.XX: ±0.20
 X.X: ±0.25 X.XXX: ±0.15

SCALE: As Shown	UNIT: mm
DRAW: Robi	DATE: 09 30 2017
CHECK: BobYa g	DATE: 09 30 2017

SCHMID-M

TITLE: SM TER K55, Power Tap, M4, 6pin



3 d ANGLE PRO EC ON

PRODUCT NO:

REV	DESCRIPTION	DATE