

1 2 3 4 5 6 7 8

A

B

C

D

E

F

G

H

A

B

C

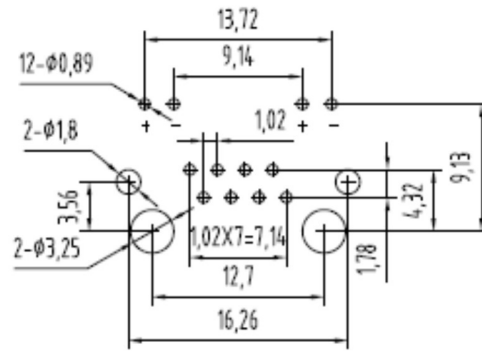
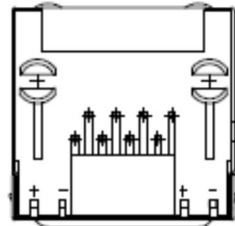
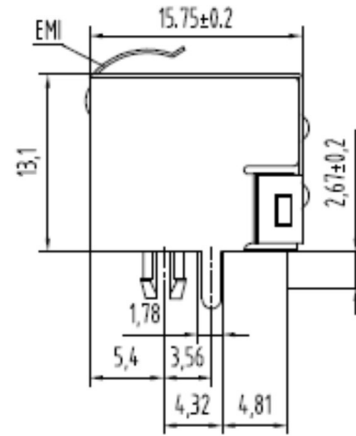
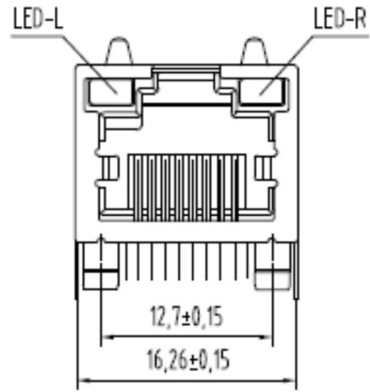
D

E

F

G

H



PC Board Layout
Component Side Shown

NOTES:

MATERIAL :

- 1.HOUSING MATERIAL : GLASS FILLED POLYESTER UL94V-0.
- 2.CONTACT MATERIAL : PHOSPHOR BRONZE φ0.46mm.
- 3.PLATING : GOLD PLATING OVER NICKEL.
- 4.SHIELD : 0.25mm THICKNESS COPPER ALLOY WITH NICKEL PLATED.
- 5.LED : OPTKIN

ELECTRICAL:

- 1.VOLTAGE RATING : 125 VAC RMS.
- 2.CURRENT RATING : 1.5 AMP.
- 3.CONTACT RESISTANCE : 30 MILLIOHMS MAX.
- 4.INSULATION RESISTANCE : 500 MEGOHMS MIN @ 500V DC.
- 5.DIELECTRIC WITHSTANDING RESISTANCE : 1000V AC RMS 50Hz, 1MIN.

MECHANICAL:

- 1.DURRABILITY : 750 CYCLES MIN.
- 2.PCB RETENTION PRE-SOLDER : 1 LB MIN.

ENVIRONMENTAL:

- 1. STORAGE : -40°~+85°
- 2. OPERATON : 0°C TO 70°C

PART NUMBER:

RoHS Compliant		SCHMID-M		PART NAME	
APPD. HELEN		TOLERANCE .000 ±0.13 ANG±3° .00 ±0.25 .0 ±0.38		PART NO. SM C04 0073 AA	
DWG. ABBY		UNIT M M	SIZE. A 4		
DATE 2011/08/05	PAGE 1 OF 1	REV. A			

1 2 3 4 5 6 7 8