

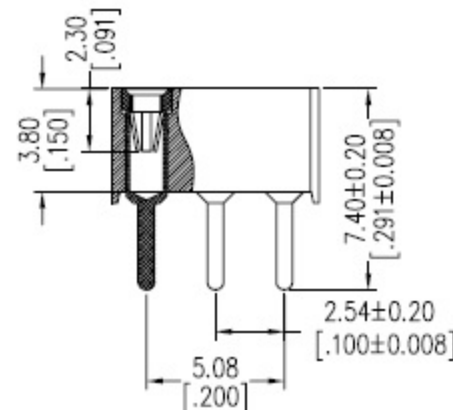
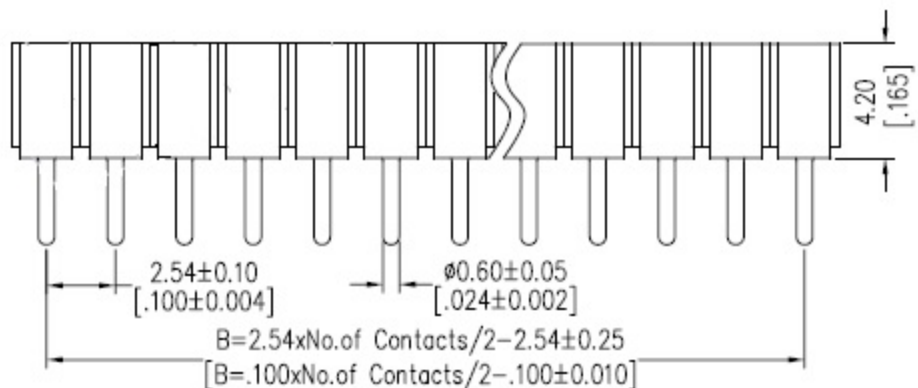
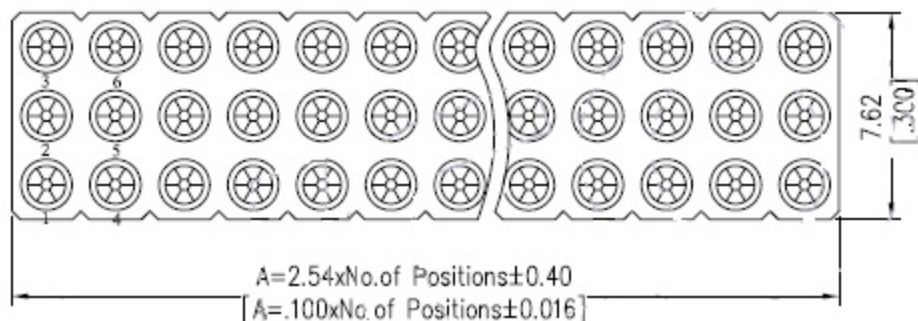
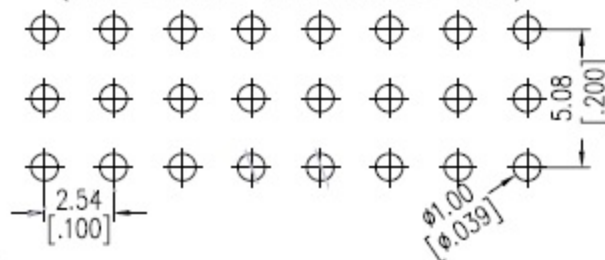
HSF

TECHNICAL SPECS:

Current Rating: 3.0AMP
 Contact Resistance: 10mΩ Max
 Dielectric Strength: Min 1000V_{RMS}
 Mechanical Life: Min 500 cycles
 Mating Pin: Ø0.7 to Ø0.9mm or 0.635SQ
 Forces: (polished steel gauge Ø0.76mm)
 Insertion: 150g Max/Pin, Withdrawal: 30g Min/Pin
 Operation Temperature: -40°C to +105°C

Sleeve: Brass CuZn36Pb3(C36000)
 Contact Clip(6 finger): BeCu(C17200)
 Insulator Material: PPS+30%G.F(UL94V-0)

Recommended P.C.B Layout(Top Side)
 (PCB BOARD TOLERANCE±0.05)



Item	Pitch	Mating
Standard	2.54	3511
Alternate		

REV	DATE	MODIFICATION DESCRIPTION	CHANGE	OPERATION		DRAW	DATE	SCALE	FIT	PART NO.
				DIM	TOL					
				X.X	±0.40		2012/10/18	UNIT	mm	SM C07 3521 XXXS
				X.XX	±0.25	CHECK	DATE	SIZE	A4	TITLE:
A0	2012/10/18	NEW		X.XXX	±0.15		DATE	SHEET	1/1	2.54mm MACHINED FEMALE HEADER THREE ROW 180° H=4.20 L=7.4
				Angle	± 3°	APPROVE	DATE	PROJ.	Customer NO.	

SCHMID-M