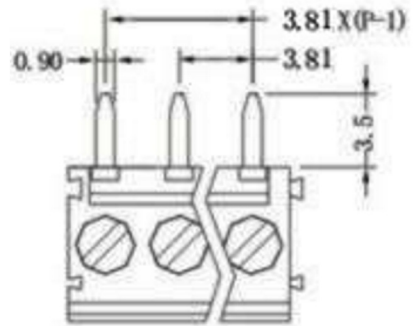
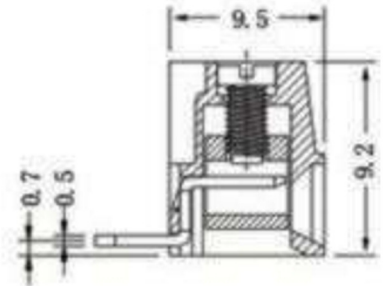
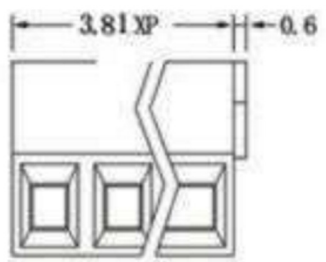


1 2 3 4 5 6 7 8

A  
B  
C  
D  
E  
F  
G  
H

A  
B  
C  
D  
E  
F  
G  
H



Standard	UL	VDE
Rated voltage	300V	300V
Rated current	15A	20A
Wire range	24-16AWG	1.5mm <sup>2</sup>
Withstanding voltage	AC1250V/1Min	
Ambient temperature	-40°C~+105°C	
Strip length	5=6mm	
Torque	0.2Nm(4.4Lb-In.)	
Pitch	3.50 / 3.81 mm(.197")	
Poles	2P , 3P ---Any poles	
Housing	PA66,UL94V-0	
Screws	M2.0,steel,Cr <sup>3+</sup> Zn plated	
Solder Pins	Brass, Tin plated	
Contact Cage	Brass, Ni plated	

RoHS Compliant		<b>SCHMID-M</b>	
APPD.		TOLERANCE	PART NAME
DWG. GRAY	SCALE	.0 ±	Terminal Block, Screw Clamp Style, Ver. cond.,
DATE 2014/01/30	UNIT M M	.00 ±	Pitch 3,81mm, PCB Right,
	PAGE 1 OF 1	ANG. ±	XX..... Nr. Pins
		SIZE. A 4	PART NO.
		REV. A	SM C09 13814 XX RS4

1 2 3 4 5 6 7 8