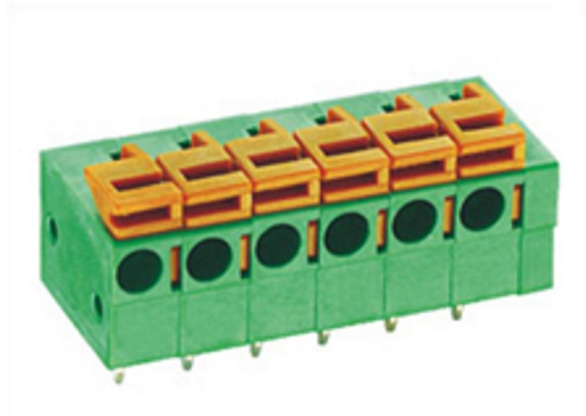
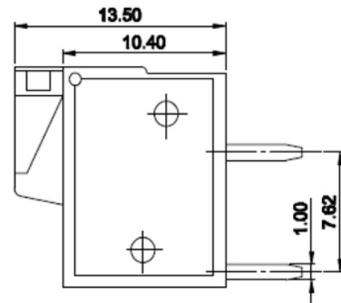
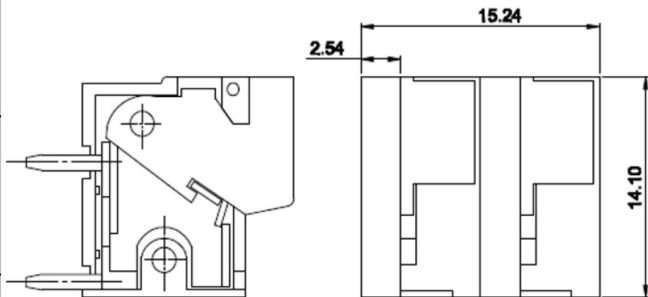
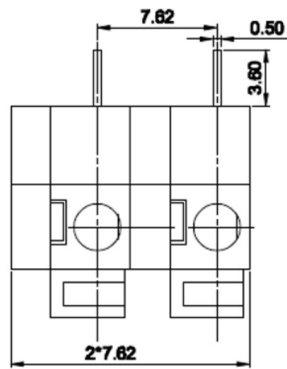


Standard	UL	IEC
Rated voltage	300V	250V
Rated current	10A	15A
Wire range	22-16AWG	0.2-1.0mm <sup>2</sup>
Withstanding voltage	AC2000V/1Min	
Ambient temperature	-40°C~+105°C	
Strip length	10mm	
Pitch	5.08 / 7.62mm(.100")	
Poles	1P-XXP	
Housing	PA66+5%GF.,UL94V-0	
Pin header	Brass,Tin plated	
Wire guard	Stainless steel	



RoHS Compliant		<b>SCHMID-M</b>	
APPD.		TOLERANCE	PART NAME
DWG. GRAY	SCALE	.0 ±	Terminal Block, Spring Style, hor. conductor,
DATE 2014/01/27	UNIT M M	.00 ±	Pitch 7,62mm, PCB Right,
	PAGE 1 OF 1	ANG. ±	XX..... Nr. Pins
		SIZE. A 4	PART NO.
		REV. A	SM C09 3764 XX RC4