

1 2 3 4 5 6 7 8

A

A

B

B

C

C

D

D

E

E

F

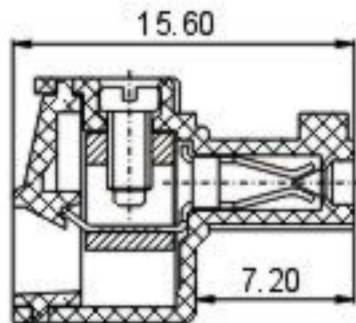
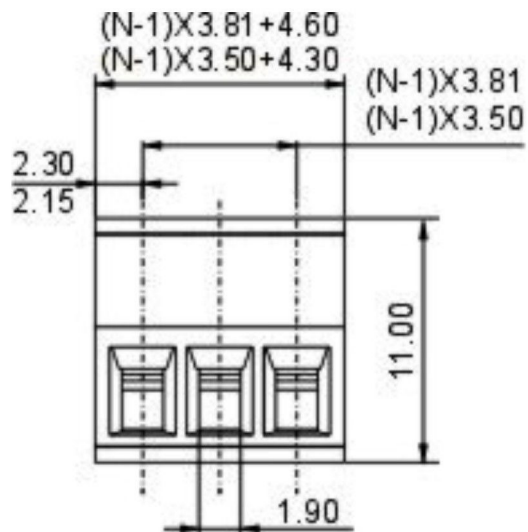
F

G

G

H

H



|                      |                                       |                        |
|----------------------|---------------------------------------|------------------------|
| Standard             | UL                                    | VDE                    |
| Rated voltage        | 300V                                  | 250V                   |
| Rated current        | 8A                                    | 7A                     |
| Wire range           | 28-16AWG                              | 0.5-1.5mm <sup>2</sup> |
| Withstanding voltage | AC2000V/1Min                          |                        |
| Ambient temperature  | -40°C~+105°C                          |                        |
| Strip length         | 7mm                                   |                        |
| Torque               | 0.2Nm(3.5Lb-In.)                      |                        |
| Pitch                | 3.81 mm                               |                        |
| Poles                | 2P , 3P ---Any poles                  |                        |
| Housing              | PA66,UL94V-0                          |                        |
| Screws               | M2.0,steel,Cr <sup>3+</sup> Zn plated |                        |
| Contact              | Brass, Ni plated                      |                        |
| Cage                 | Brass, Ni plated                      |                        |

XX - Contact No: 2-24

Y - Screw Type: A- Slot „-“ / B - Slot „+“



RoHS  
Compliant

**SCHMID-M**

|                    |             |              |                                |
|--------------------|-------------|--------------|--------------------------------|
| APPD.<br>BETTY     |             | TOLERANCE    | PART NAME                      |
| DWG.<br>BETTY      |             | SCALE        |                                |
| DATE<br>2010/11/02 | UNIT<br>M M | SIZE.<br>A 4 | PART NO.<br>SM C09 0384 XX YOC |
| PAGE<br>1 OF 1     | REV.<br>A   |              |                                |

1 2 3 4 5 6 7 8