

1

2

3

4

5

6

7

8

A

B

C

D

E

F

G

H

A

B

C

D

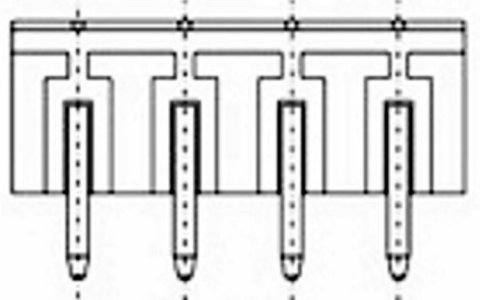
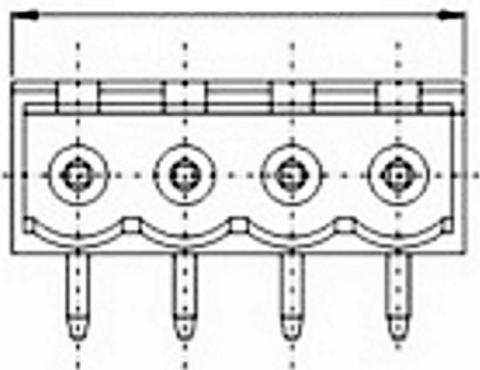
E

F

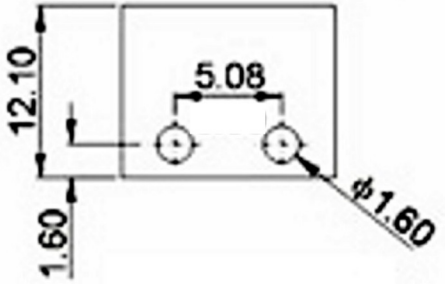
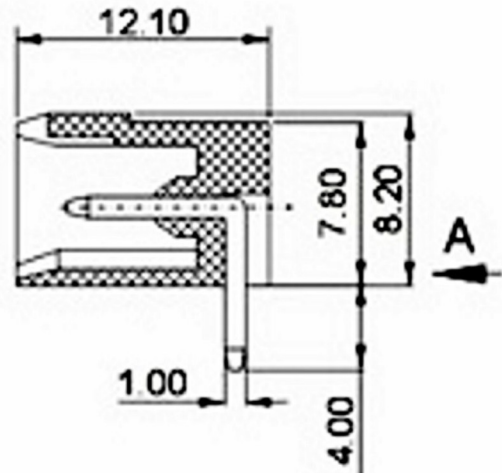
G

H

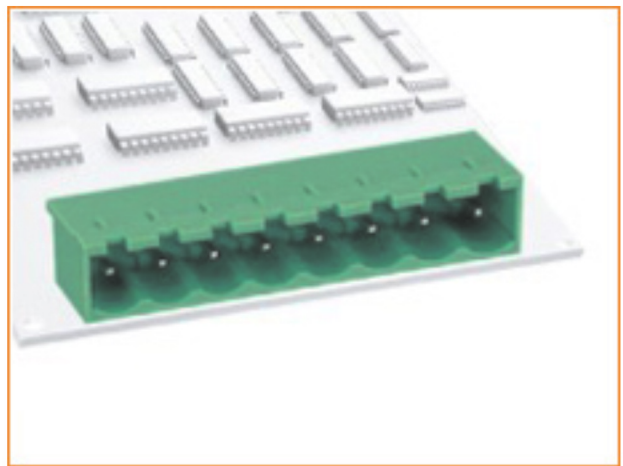
NX5.08+1.40



A — A



Standard	UL	VDE
Rated Voltage	300V	320V
Rated Current	15A	20A
Withstanding Voltage	AC2500V/1Min	
Ambient Temperature	(-)40°C to +105°C	
Pitch	5.08 (.197")	
Poles	2P, 3P --Any poles	
Housing	PA66, UL94V-0	
Solder Pins	Brass, Ni plated	



RoHS Compliant

SCHMID-M

APPD.	SCAIF	TOLERANCE	PART NAME
DWG. HELGA		$XX \pm 0.25$ $XX \pm 0.35$ ANG. \pm	
DATE 2013/10	UNIT M M	SIZE A 4	PART NO. SM C09 0582 XX ROC
PAGE 1 OF 1	REV. C		

1

2

3

4

5

6

7

8