

1 2 3 4 5 6 7 8

A A

B B

C C

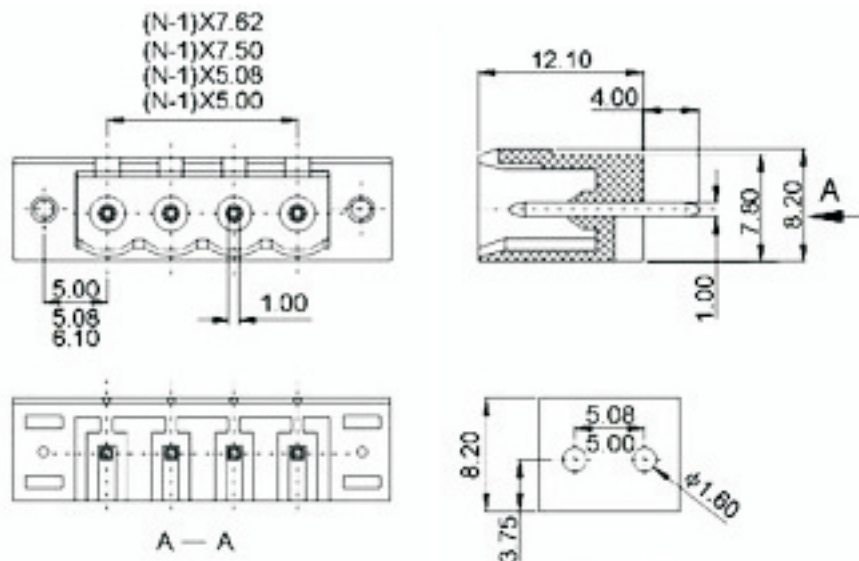
D D

E E

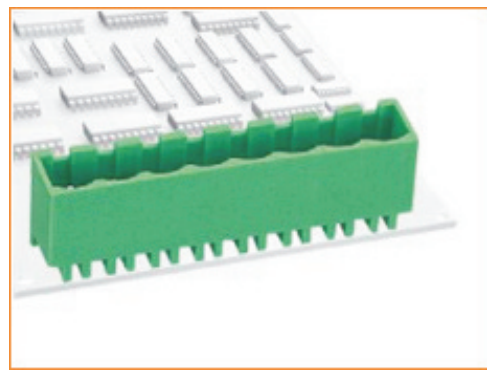
F F

G G

H H



Standard	UL	VDE
Rated voltage	300V	320V
Rated current	15A	20A
Withstanding voltage	AC2500V/1Min	
Ambient temperature	(-)40°C to +105°C	
Pitch	5.00/5.08/7.50/7.62mm (.197")	
Poles	2P, 3P --- Any poles	
Housing	PA66, UL94V-0	
Solder Pins	Brass, Tin plated	



RoHS Compliant			
APPD. DWG. HELGA DATE 2013/10		TOLERANCE XX ± 0.25 XX ± 0.36 ANG. ±	PART NAME Pluggable Terminal Block PCB Straight 5,00mm Green XX: No. Poles
UNIT M M PAGE 1 OF 1	SIZE A 4 REV. C	PART NO. SM C09 0503 XX SOC	

1 2 3 4 5 6 7 8