

1 2 3 4 5 6 7 8

A

B

C

D

E

F

G

H

A

B

C

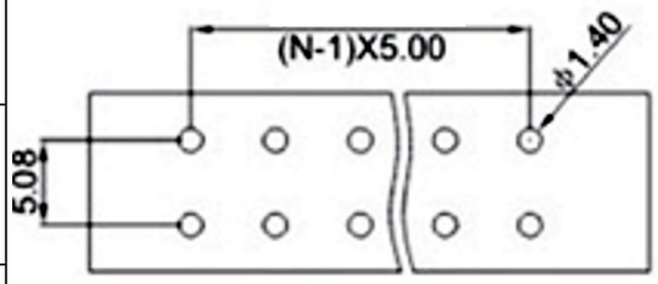
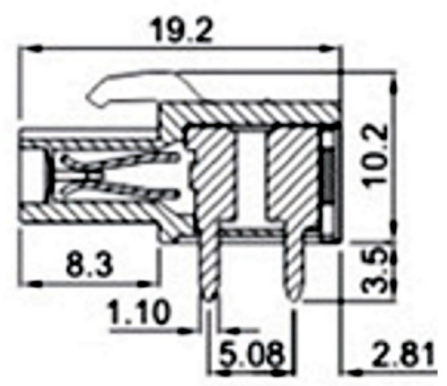
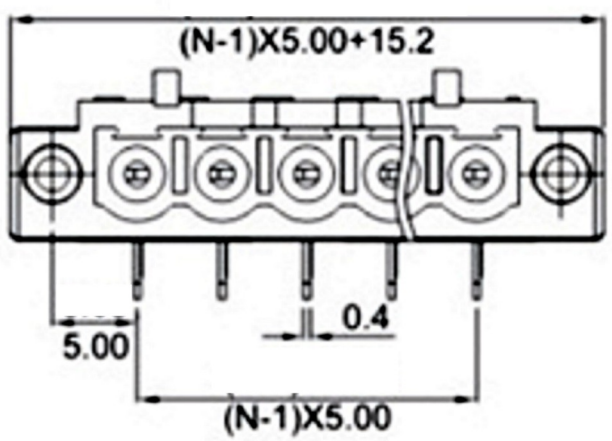
D

E

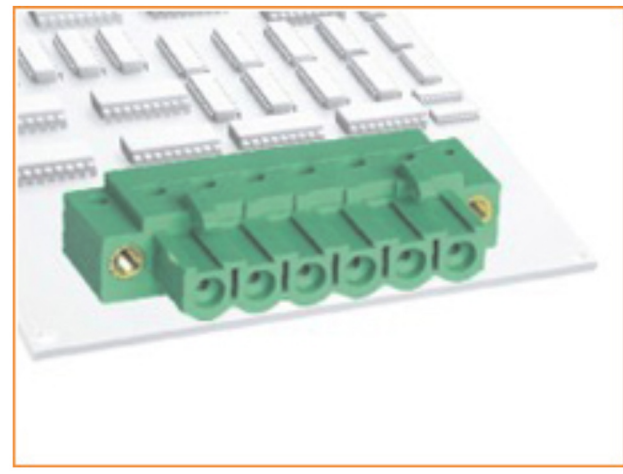
F

G

H



Standard	UL	VDE
Rated voltage	300V	320V
Rated current	15A	20A
Withstanding voltage	AC2500V/1Min	
Ambient temperature	(-)40°C to +105°C	
Pitch	5.00mm (.197")	
Poles	2P, 3P ---Any poles	
Housing	PA66, UL94V-0	
Solder Pins	Brass, Tin plated	



RoHS Compliant		SCHMID-M	
APPD.	SCAL F	TOLERANCE XX ± 0.25 XX ± 0.35 ANG. ±	PART NAME Pluggable Terminal Block PCB Right Angle With Fix Screws Pitch 5,00 mm Green XX: No. Poles
DWG. HELGA	UNIT M M	SIZE. A 4	PART NO. SM C09 0509 XX RSC
DATE 2013/10	PAGE 1 OF 1	REV. C	

1 2 3 4 5 6 7 8