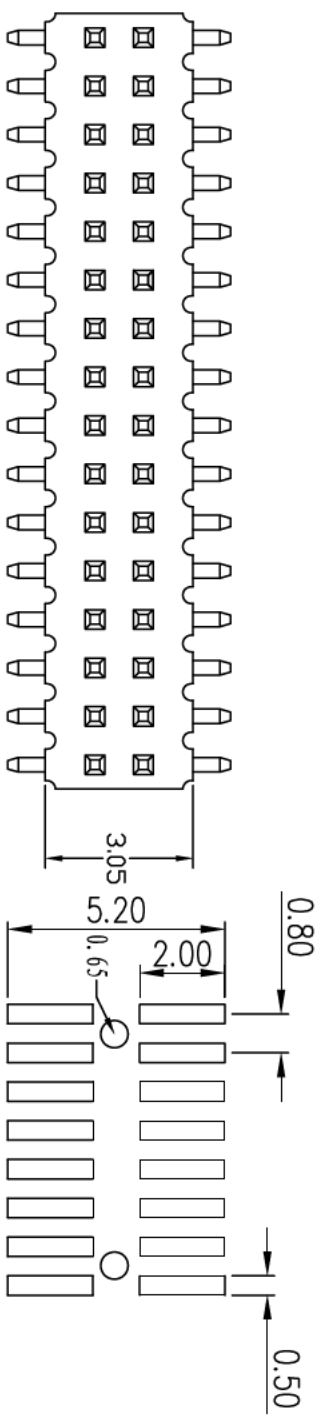


REV.	LOCAS.	DESCRIPTION	DATE	DRAWN
01		INITIAL RELEASE.		

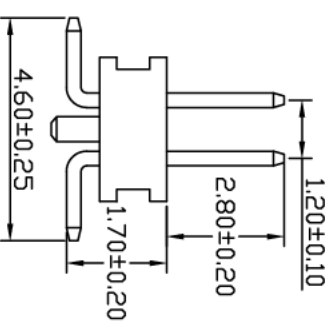
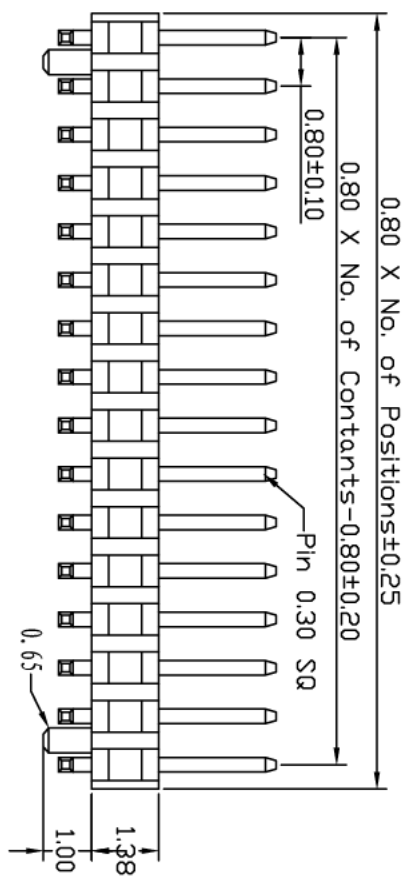
Recommended P.C.Board

Hole Layout



Specifications
 Current Rating: 1Amp
 Insulation Resistance: 500MΩ Min.
 Dielectric Withstanding: 600VAC
 Contact Resistance: 20mΩ Max.
 Operating Temperature: -40°C to +105°C

Materials
 Contact Material: Brass
 Insulator Material: Polyester, UL 94V-0
 NYLON-6T
 All materials must be GP materials



XX - number of pins

GENERAL TOLERANCE				DESIGN:		PART NO.		TITLE.
X. ± 5°	X.	± 0.30	CHECKED:	DATE:	SCHMID-M	SM C02 1808 XX BD W/LOC PEG	0.80 PIN HEADER	
X. ± 2'	X	± 0.20	AUDITED:	DATE:				DUAL ROWS SMT TYPE
.XX' ± 1'	.XX	± 0.15	APPROVED:	DATE:			BASE 1.38H	
.XXX ± 0.5'	.XXX	± 0.10						

REV. 01	UNIT. mm	SCALE. 3:1	PAGE. 1/1
---------	----------	------------	-----------

1 2 3 4 5 6 7 8 9