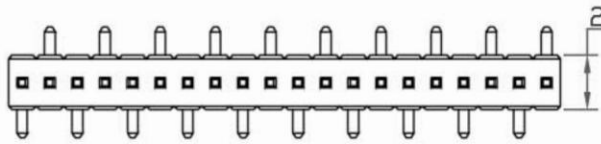


1 2 3 4 5 6 7 8

A

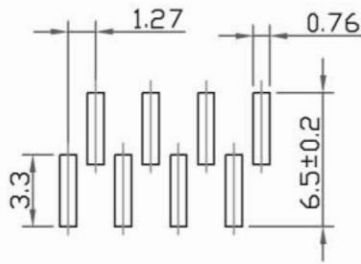
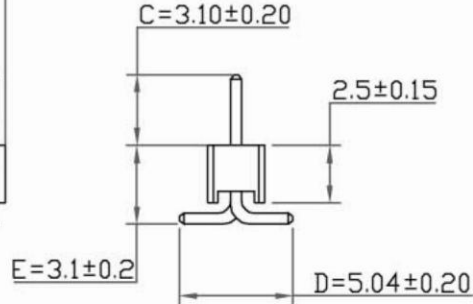
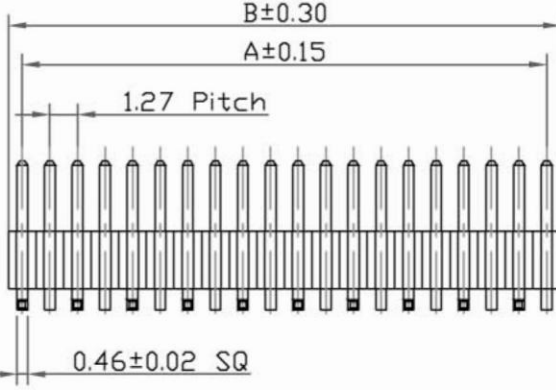


$A = 1.27 * (\text{NO of Space})$   
 $B = A + 1.27$

**SPECIFICATIONS**  
 Current Rating: 1 Amps  
 Dielectric Withstanding: AC 500V  
 Operating Temperature: -40°C to +105°C  
 Max Processing Temp.: 230° for 30~60 seconds  
 (260° for 10 seconds)

**MATERIAL&FINISH**  
 Contact: Brass  
 Insulator Material: Nylon 6T  
 Color: Black  
 Finish: Gold Flash Plated Over Nickel

B



P.C.Board Layout  
Type A

C

D

E

F

G

H

**SCHMID-M**

UNIT		SCALE	PART NAME	
------	--	-------	-----------	--

MM		3:1	1.27mm PIN HEADER H=2.5mm SMT SINGLE ROW(C=3.1 D=5.04 E=3.1)	
----	--	-----	---	--

2003/08/19	DRAWING.	APPROVED	APPD.	CKD.	TOLERANCE	PART NO.	REV.
	<i>Jane</i>				± 0.2	SM C02 1170 XXAD	A

1 2 3 4 5 6 7 8