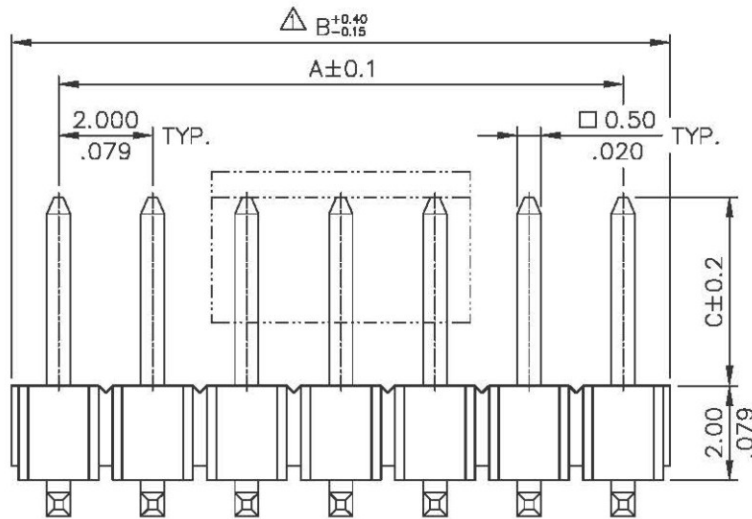


Recommended P.C. Board Layout

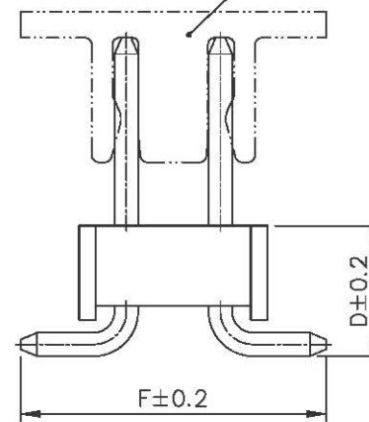
Material:

- * Insulator: Nylon 6T With 30% GF.
UL 94V-0 Color Black
- * Square Pin: Brass
- * Pick & Place Pad:
Nylon 6T
UL 94V-0 Color Nature



DIM. A = 2.00 X No. of Spaces
 DIM. B = DIM. A + 2.00
 * Available in 4 through 80 Circuits

Pick & Place Pad



OPTION CODE	PIN DIMENSION		
	C	D	F
00	4.0(.157)	2.77(.109)	6.5(.256)

RoHS Compliant

DRAWN BY: Sun		DATE: 1/24 06'	UNIT: mm / inch	TITLE: 2.00mm(.079") DUAL ROW SURFACE BOARD MOUNT PIN HEADER	SCHMID-M
ENGINEER: Eisley	1/26 06'	TOLERANCE UNLESS OTHERWISE SPECIFIED		MATERIAL:	
CHECKED BY: David	1/27 06'	.X ± 0.25/.010 X.* ± 1"		FINISH:	DRAWING NO.
APPROVED BY: Alex	1/27 06'	.XX ± 0.15/.006 X.* ±			PART NO. SM C02 6215 XX BD
		.XXX ± 0.10/.004 .XX.* ±		SCALE: 6 / 1	SHEET 1 OF 1