

1

2

3

4

5

6

7

8

A

B

C

D

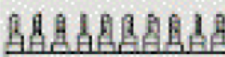


E

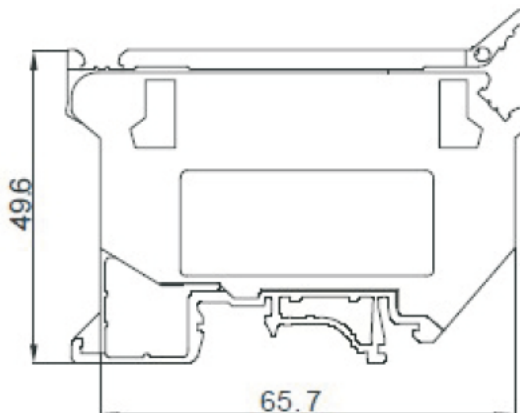
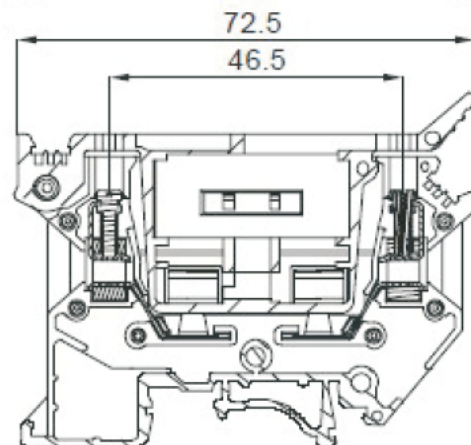
F

G

H



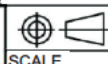
Standard	UL	IEC
Rated voltage	600	800V
Rated current	6.3A	6.3A
Wire Size	24-12AWG	0.2 - 4.0mm ²
T/W/End plate	8.2/72.5/-mm	
Height	56.5/64/61.5mm	
Rated surge voltage/Contamination class	6KV/3	
Stripping length	8mm	
Screw thread/Tightening torque	M3/0.5N.m/4.5Lb-in	
Internal cylindrical gage	A4	
Insulating material/Inflammability class	PAV-0	
Specification	Model	Pieces
Insertion bridge 	EB 2-8	100
	EB 3-8	50
	EB 10-8	10
Test plug socket insulated 		
Zack strip 	ZB8	



RoHS
Compliant

SCHMID-M

APPD.



SCALE

TOLERANCE

X.XX± 0.25

X.X±0.35

ANG. ±

PART NAME

SM C09 UK4-HE Series

DWG.

UNIT

MM

SIZE

A4

PART NO.

DATE

2013/10

PAGE

1 OF 1

REV

C

1

2

3

4

5

6

7

8