

General

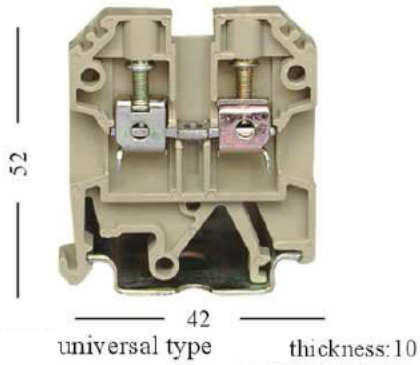
SM C09 SAK series combined terminal blocks mainly use Germany Woodmeler’s connection technology, and designed and made at home. Technology targets conforms to the standard or IEC 60947-1, IEC 60947-7-1, GB14048.1. However, JXB is only for mounting on, increase the high current terminal series.

Characteristics

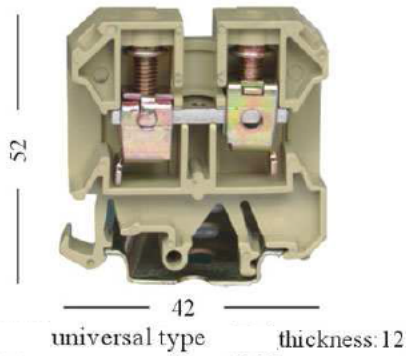
- 1) Reasonable installing design, strong versatility, SM C09 SAK type can be mounted on the guide of Grand TH type.
- 2) small volume, full specification, series SAK’s big current terminal use reinforced accessories to install steel pressing-wire frame and wire diversion board technology in order to guaranjtee the contact reliable.
- 3) the stand uses creamed-yellow and grey color, the connecting-ground pedestal uses yellow and green color with moore modern sense.

Specific Item Details

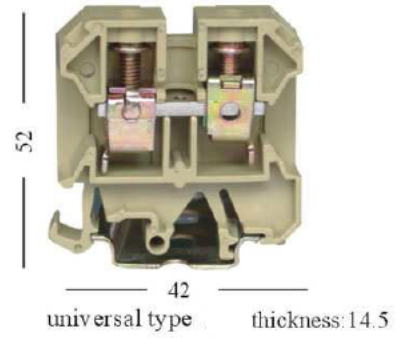
<p>46.5</p> <p>41</p> <p>universal type thickness:6</p>	<p>52</p> <p>42</p> <p>universal type thickness:8</p>	<p>52</p> <p>42</p> <p>universal type thickness:8</p>
<p>Part Number : SM C09 SAK2.5EN</p>	<p>Part Number : SM C09 SAK4EN</p>	<p>Part Number : SM C09 SAK6EN</p>
<p>Voltage / Current : 800V / 24A</p>	<p>Voltage / Current : 800V / 32A</p>	<p>Voltage / Current : 800V / 41A</p>
<p>Wire Size : 0.2—2.5mm²</p>	<p>Wire Size : 0.2—4.0mm²</p>	<p>Wire Size : 0.2—6.0mm²</p>



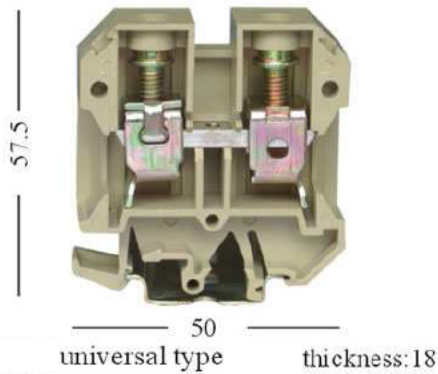
Part Number : **SM C09 SAK10EN**
 Voltage / Current : 800V / 57A
 Wire Size : 0.2—10mm²



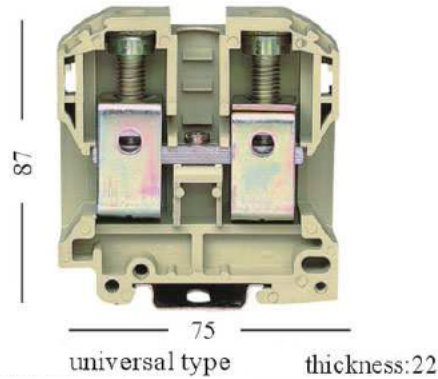
Part Number : **SM C09 SAK16EN**
 Voltage / Current : 800V / 76A
 Wire Size : 0.5—16mm²



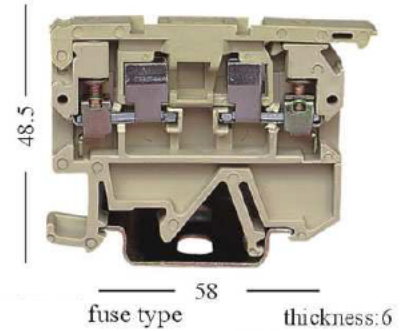
Part Number : **SM C09 SAK25EN**
 Voltage / Current : 800V / 100A
 Wire Size : 0.5—16mm²



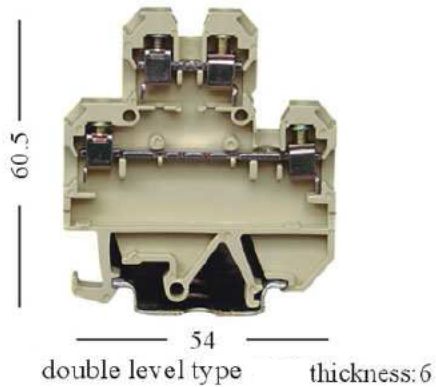
Part Number : **SM C09 SAK35EN**
 Voltage / Current : 800V / 125A
 Wire Size : 10—35mm²



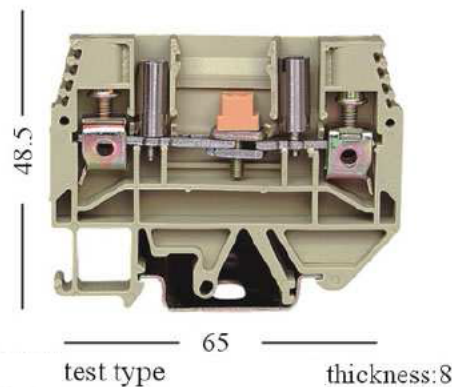
Part Number : **SM C09 SAK70EN**
 Voltage / Current : 800V / 192A
 Wire Size : 25—70mm²



Part Number : **SM C09 AK-RD-4EN**
 Voltage / Current : 500V / 6.3A
 Wire Size : 0.2-4.0mm²



Part Number : **SM C09 SAK-4Q**
 Voltage / Current : 500V / 32A
 Wire Size : 0.2—4.0mm²



Part Number: **SM C09 SAK-WTK-4EN**
 Voltage / Current : 400V / 41A
 Wire Size : 0.2—4.0mm²