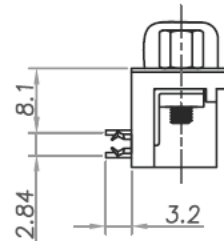
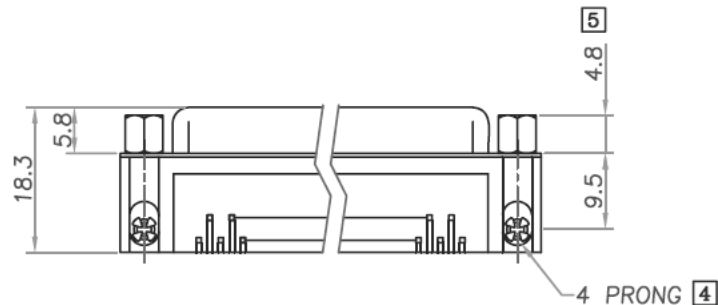
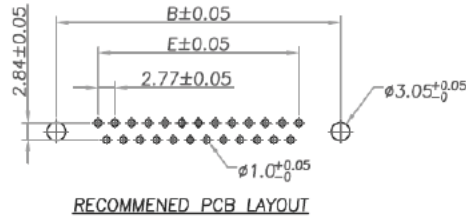
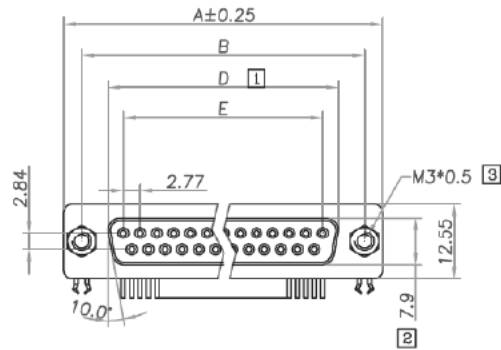
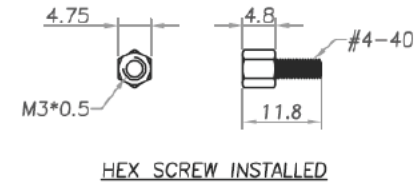


RoHS COMPLIANT



7.2mm Footprint

Dimensions				
Positions	A	B	D	E
9	30.81	24.99	16.33	11.08
15	39.20	33.30	24.70	19.39
25	53.05	47.04	38.40	33.24
37	69.40	63.50	54.80	49.86



Material & Finish

- SHELL: Steel, Nickel Plated
- PIN CONTACT: Brass, Gold Flash Plated
- INSULATOR: PBT & Glass-fibre reinforced UL-94-V0 Black
- CLINCH NUT: Copper Alloy, Nickel Plated
- Board Lock: Brass, Tin Plated
- Hex Screw: Steel, Nickel Plated

- CURRENT RATING: 3 Amp
- CONTACT RESISTANCE: 20mΩ Max
- DIELECTRIC STRENGTH: 1000VAC for one minute
- INSULATOR RESISTANCE: 1000MΩ Min. (at 500VDC)

DIMENSIONS ARE IN MILLIMETERS TOLERANCE				SCHMID-M	
0.	±0.40	ANGLE ±3°	SCALE	5:1	
0.0	±0.30		REV	A-1	
0.00	±0.20				
DRAWN Brown		DATE 19.10.18		TITLE D-SUB PCB FEMALE R/A TYPE 4 PRONG Z SHAPE, LOCK M3 HEX SCREW	
APPROVAL Walter		DATE		DRAWING NO SM C05 3168 XX F	
				FILE NO	