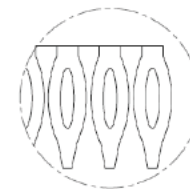
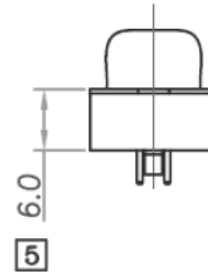
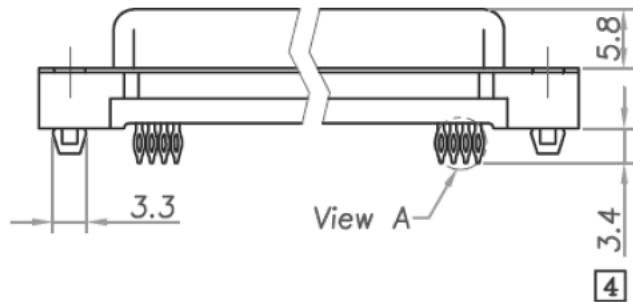
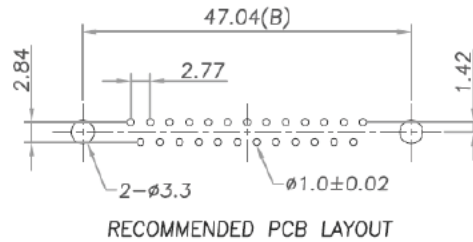
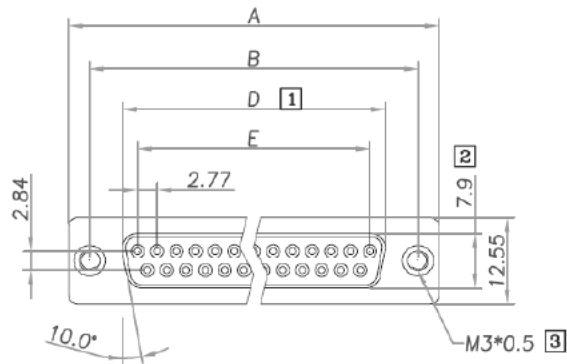


RoHS COMPLIANT



View A-5:1

Dimensions				
Positions	A	B	D	E
9	30.81	24.99	16.33	11.08
15	39.20	33.30	24.70	19.39
25	53.05	47.04	38.40	33.24
37	69.40	63.50	54.80	49.86

Material & Finish

SHELL:

Tin, Nickel Plated

PIN CONTACT:

Brass

Gold Flash Plated

INSULATOR:

PBT & Glass-fibre reinforced  
UL-94-V0 Black

BOARDLOCK:

Brass, Tin Plated

CURRENT RATING:

3 Amp

CONTACT RESISTANCE:

20mΩ Max

DIELECTRIC STRENGTH:

1000VAC for one minute

INSULATOR RESISTANCE:

1000MΩ Min. (at 500VDC)

TEMPERATURE:

-55°C to +105°C

DIMENSIONS ARE IN MILLIMETERS  
TOLERANCE

0.	±0.40
0.0	±0.30
0.00	±0.20

ANGLE ±3°

SCALE	5:1
REV	A-1

DRAWN	Brown
APPROVAL	Walter

DATE	19.10.18
DATE	

**SCHMID-M**

TITLE D-SUB PRESS FIT S/T TYPE FEMALE (9-37)

DRAWING NO SM C05 3027 XX F

FILE NO