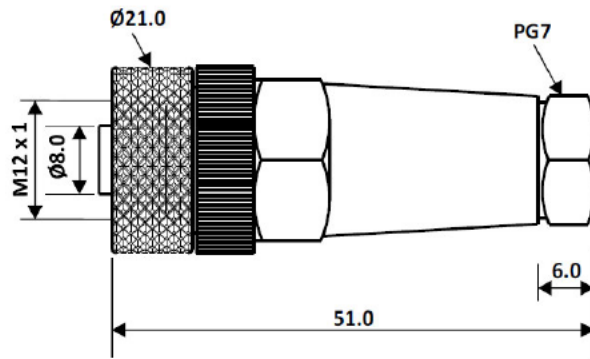
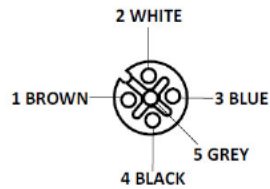


M12 Female Straight 5PIN



Pin Diagram





General Specification

Rated Operational Voltage	60 V
Current Rating	4A
Insulation Resistance	>= 100 MΩ
Temperature Range	-25°C ... +75°C
Degree of Protection	IP67

Material Specification

Grip Material	Nylon 66
Contact	Cu-Zn
Contact Plating	Gold Plated
Contact Carrier	Nylon 66
O-Ring	Neoprene
Grip Colour	Black
Termination	Screw Type
Pole	5
Cable Gland	PG7
Coupling Nut	Brass Nickel-plated

TOLERANCE				
SCALE	UNIT			
DRAW	Brown	DATE	24.10.2018	TITLE SM C10 NF12-S5SP0-BP7
CHECK	Walter	REV		
		DESCRIPTION M12 Female Straight 5PIN		