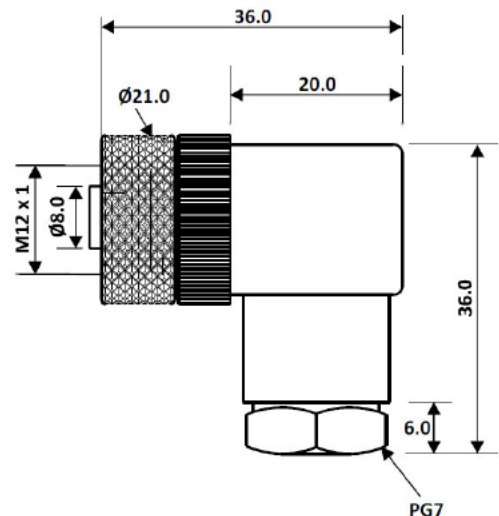
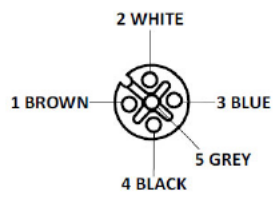


M12 Female Right Angled 5PIN



All dimensions are in mm.

Pin Diagram



General Specification

Rated Operational Voltage	60 V
Current Rating	4A
Insulation Resistance	>= 100 MΩ
Temperature Range	-25°C ... +75°C
Degree of Protection	IP67

Material Specification

Grip Material	Nylon 66
Contact	Cu-Zn
Contact Plating	Gold Plated
Contact Carrier	Nylon 66
O-Ring	Neoprene
Grip Colour	Black
Termination	Screw Type
Pole	5
Cable Gland	PG7
Coupling Nut	Brass Nickel-plated

TOLERANCE			
SCALE	UNIT		
DRAW	Brown	DATE	24.10.2018
CHECK	Walter	REV	
		TITLE	
		SM C10 NF12-R5SP0-BP7	
		DESCRIPTION	
		M12 Female Right Angled 5PIN	