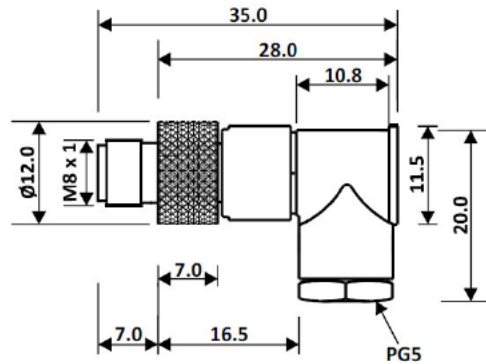


# M08 Male Right Angled 3PIN



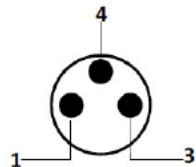
## General Specification

Rated Operational Voltage	30 V
Current Rating	4A
Insulation Resistance	>= 100 MΩ
Temperature Range	-25°C ... +75°C
Degree of Protection	IP67

## Material Specification

Grip Material	Nylon 66
Contact	Cu-Zn
Contact Plating	Gold Plated
Contact Carrier	Nylon 66
O-Ring	Neoprene
Grip Colour	Black
Termination	Solderable Pin Type
Pole	3
Cable Gland	PG5
Coupling Nut	Brass Nickel-plated

## Pin Diagram



TOLERANCE			
SCALE	UNIT		
DRAW	Brown	DATE	23.10.2018
CHECK	Walter	REV	
		TITLE	
		SM C10 NM08-R3LPO-BP5	
		DESCRIPTION	
		M08 Male Right Angled 3PIN	