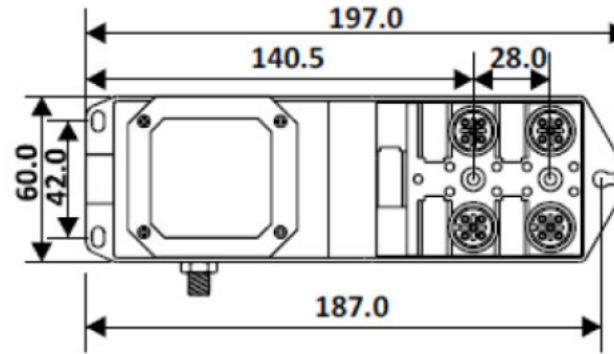


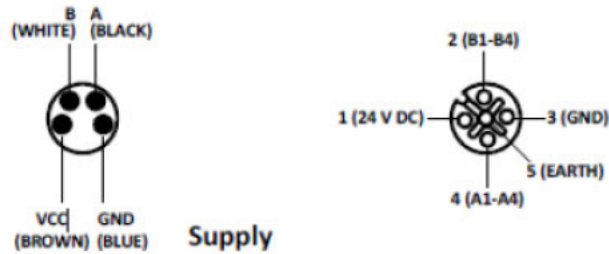
Junction Box



Dimensions: (mm)



Connection Diagram



Specifications

Electrical

Supply	24 V DC ± 10%
Operating Voltage	10 ... 30 V DC
Rated Current	Max. 20 mA per Port
Total Rated Current	Max. 350 mA
Connection	M08 Male Socket
I/Os Connection	M12, 5pin Female Socket
Port	4

Mechanical Characteristics

Housing Material	PBT Plastic
Material of Moulding Mass	Nylon 66
Contact Carrier Material	Nylon 66
Contact Material	Brass-Ni Plated
Contact Surface Material	Gold Plated
Material O-Ring	Neoprene
Protection	IP55

Environment Limits

Operating Temperature	0 ... 55°C
Storage Temperature	0 ... 70°C

Indications

Yellow LED	Power
Red LEDs	NC I/O (B)
Green LEDs	NO I/O (A)

MODBUS Communication

Protocol	MODBUS
Data Baud Rate	19200
Slave Address	01
Function Code	03
Quantity of Register	01
Communication Topology	RS485

TOLERANCE				
SCALE	UNIT			
DRAW	Brown	DATE	1.11.2018	TITLE SM C10 B04-12P5B-MOD
CHECK	Walter	REV		
		DESCRIPTION Junction Box		