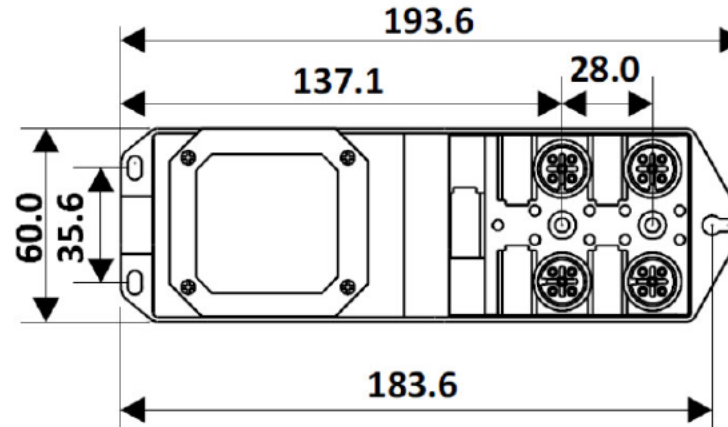


Junction BOX With Terminal Block



Dimensions: (mm)



Specifications

Electrical

Supply	24 V DC \pm 10%
Rated Current	Max. 2A per Port
Total Rated Current	Max. 6A
Connection	Through Terminal Block
I/Os Connection	M12, 5pin Female Socket
Port	4

Mechanical Characteristics

Housing Material	PBT Plastic
Material of Moulding Mass	Nylon 66
Contact Carrier Material	Nylon 66
Contact Material	Brass-Ni Plated
Contact Surface Material	Gold Plated
Material O-Ring	Neoprene
Protection	IP65 / IP67

Environment Limits

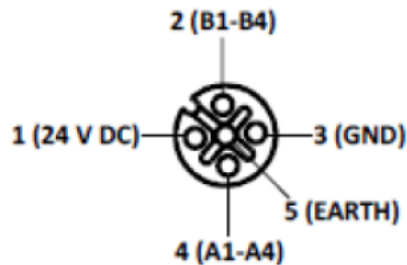
Operating Temperature	0 ... 55°C
Storage Temperature	0 ... 70°C

Indications

Yellow LED	Power
Red LEDs	NC I/O (B)
Green LEDs	NO I/O (A)

Connection Detail

1	A1
2	A2
3	A3
4	A4
5	B1
6	B2
7	B3
8	B4
9	24 V DC
10	GND
11	Earth



TOLERANCE				
SCALE	UNIT			
DRAW	Brown	DATE	30.10.2018	TITLE SM C10 B04-12P5B-TB
CHECK	Walter	REV		
		DESCRIPTION Junction BOX With Terminal Block		