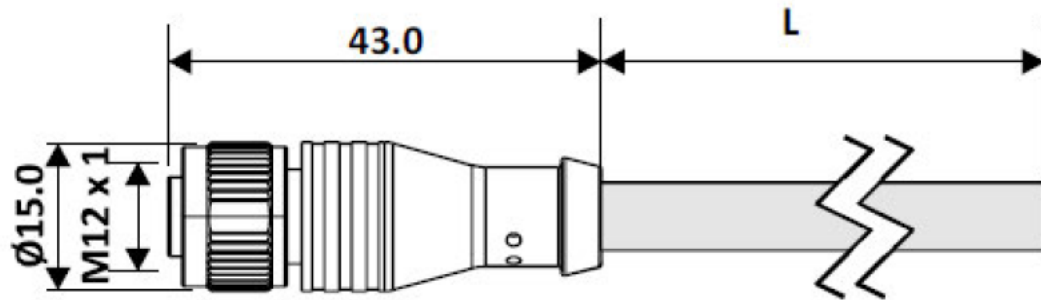
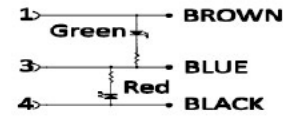
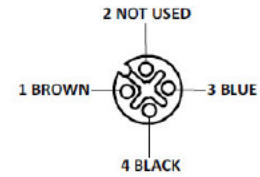


# M12 Female Straight



## Pin Assignment



## General Specification

|                           |                 |
|---------------------------|-----------------|
| Rated Operational Voltage | 30 V            |
| Current Rating            | 4A              |
| Insulation Resistance     | >= 100 MΩ       |
| Temperature Range         | -25°C ... +75°C |
| Degree of Protection      | IP67            |

## Material Specification

|                 |                     |
|-----------------|---------------------|
| Grip Material   | PU                  |
| Contact         | Cu-Zn               |
| Contact Plating | Gold Plated         |
| Contact Carrier | Nylon 66            |
| O-Ring          | Neoprene            |
| Grip Colour     | Orange              |
| Coupling Nut    | Brass Nickel-Plated |

## Cable Specification

|                       |                               |
|-----------------------|-------------------------------|
| Cable Length-L        | 2 m                           |
| Cable Type            | 3 Core PUR Multi Strand       |
| Sheath Colour         | Black                         |
| Cross Section of Wire | 0.34 sq. mm                   |
| Core Dia              | 1.4 mm                        |
| Cable Dia             | 4.5 ± 0.1 mm                  |
| Termination           | Partially Stripped            |
| Output Indication     | Power - Green<br>Output - Red |
| Output Logic          | PNP                           |

|           |        |   |           |   |
|-----------|--------|---|-----------|---|
| TOLERANCE |        |   |           |   |
| SCALE     | UNIT   |   |           |   |
| DRAW      | Brown  | DATE                                      | 5.11.2018 | <b>TITLE</b><br><b>SM C10 BF12-S43N2-02BPUR</b> |
| CHECK     | Walter | REV                                       |           |   |
|           |        | <b>DESCRIPTION</b><br>M12 Female Straight |           |   |