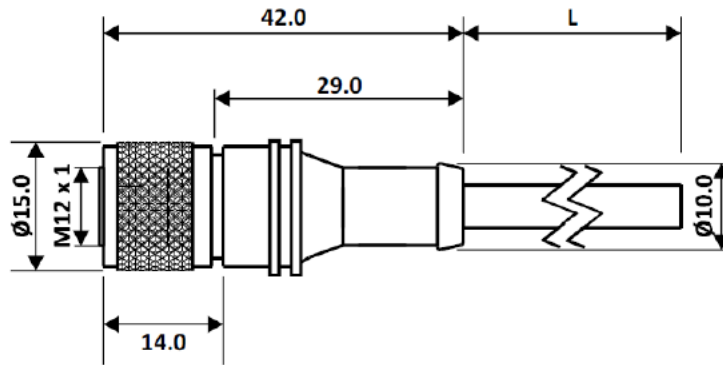


# M12 Female Straight 8PIN



## General Specification

Rated Operational Voltage	30 V
Current Rating	2A
Insulation Resistance	>= 100 MΩ
Temperature Range	-25°C ... +75°C
Degree of Protection	IP67

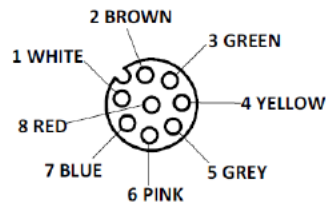
## Material Specification

Grip Material	PU
Contact	Cu-Zn
Contact Plating	Gold Plated
Contact Carrier	Nylon 66
O-Ring	Neoprene
Grip Colour	Black
Coupling Nut	Brass Nickel-Plated

## Cable Specification

Cable Length-L	2 m
Cable Type	8 Core PVC Multi Strand
Sheath Colour	Black
Cross Section of Wire	0.25 sq. mm
Core Dia	1.25 mm
Cable Dia	6.4 ± 0.1 mm
Termination	Partially Stripped

## Pin Assignment



All dimensions are in mm.

TOLERANCE				
SCALE	UNIT			
DRAW	Brown	DATE	23.10.2018	<b>TITLE</b> <b>SM C10 BF12-S88N0-02</b>
CHECK	Walter	REV		
		<b>DESCRIPTION</b> M12 Female Straight 8PIN		