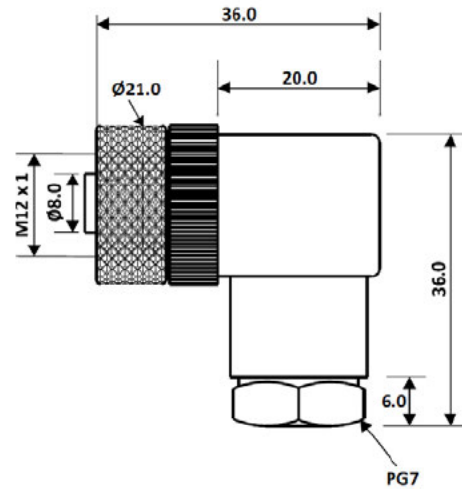
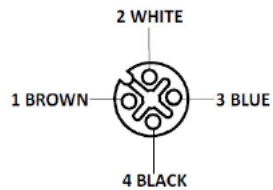


M12 Female Right Angled 4PIN



Pin Diagram



General Specification

Rated Operational Voltage	250 V
Current Rating	4A
Insulation Resistance	$\geq 100 \text{ M}\Omega$
Temperature Range	-25°C ... +75°C
Degree of Protection	IP67

Material Specification

Grip Material	Nylon 66
Contact	Cu-Zn
Contact Plating	Gold Plated
Contact Carrier	Nylon 66
O-Ring	Neoprene
Grip Colour	Black
Termination	Screw Type
Pole	4
Cable Gland	PG7
Coupling Nut	Brass Nickel-plated

TOLERANCE			
SCALE	UNIT		
DRAW	Brown	DATE	24.10.2018
CHECK	Walter	REV	
		TITLE	
		SM C10 NF12-R4SPO-BP7	
		DESCRIPTION	
		M12 Female Right Angled 4PIN	