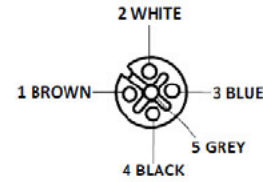


# M12 Female Panel Mount



## Pin Assignment



## General Specification

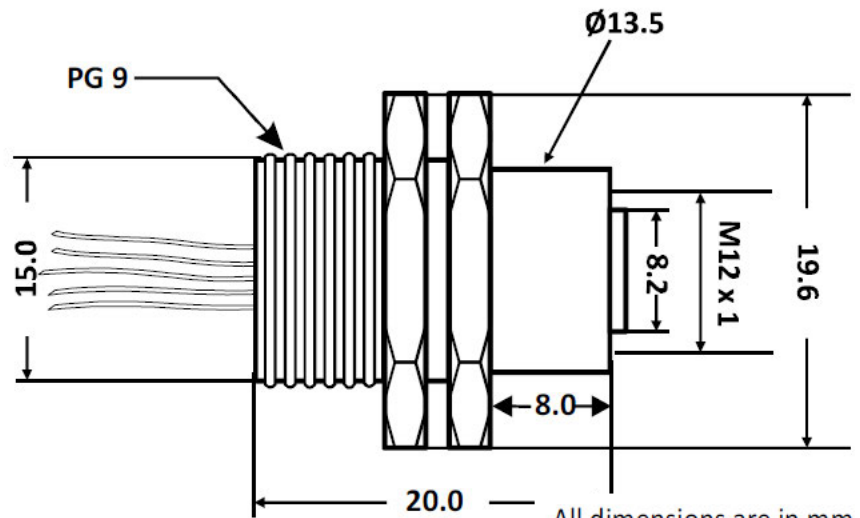
Rated Operational Voltage	60 V
Current Rating	4A
Insulation Resistance	>= 100 MΩ
Temperature Range	-25°C ... +75°C
Degree of Protection	IP67

## Material Specification

Housing Material	Brass Ni Plated
Contact	Cu-Zn
Contact Plating	Gold Plated
Contact Carrier	Nylon 66
O-Ring	Neoprene
Pole	5
Clamp Nut	PG9

## Cable Specification

Cross Section of Wire	0.34 sq.mm
Termination	Partially Stripped
Cable length	100 mm



All dimensions are in mm.

TOLERANCE				
SCALE	UNIT			
DRAW	Brown	DATE	7.11.2018	<b>TITLE</b> <b>SM C10 PF12-FPBR5-P1</b>
CHECK	Walter	REV		
		<b>DESCRIPTION</b> M12 Female Panel Mount		