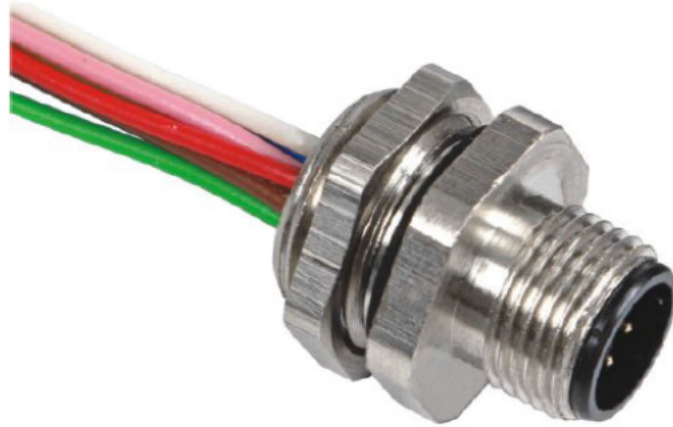
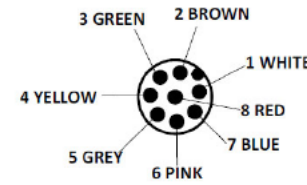


# M12 Male Panel Mount



## Pin Assignment



## General Specification

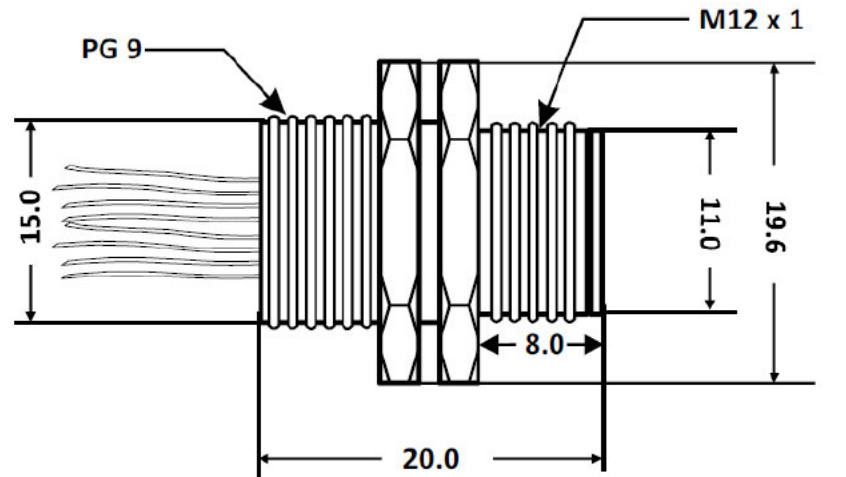
Rated Operational Voltage	30 V
Current Rating	2A
Insulation Resistance	>= 100 MΩ
Temperature Range	-25°C ... +75°C
Degree of Protection	IP67

## Material Specification

Housing Material	Brass Ni Plated
Contact	Cu-Zn
Contact Plating	Gold Plated
Contact Carrier	Nylon 66
O-Ring	Neoprene
Pole	8
Clamp Nut	PG9

## Cable Specification

Cross Section of Wire	0.25 sq.mm
Termination	Partially Stripped
Cable length	200 mm



All dimensions are in mm.

## Cable Specification

TOLERANCE				
SCALE	UNIT			
DRAW	Brown	DATE	8.11.2018	<b>TITLE</b> <b>SM C10 PM12-FPBR8-P2</b>
CHECK	Walter	REV		
		<b>DESCRIPTION</b> M12 Male Panel Mount		