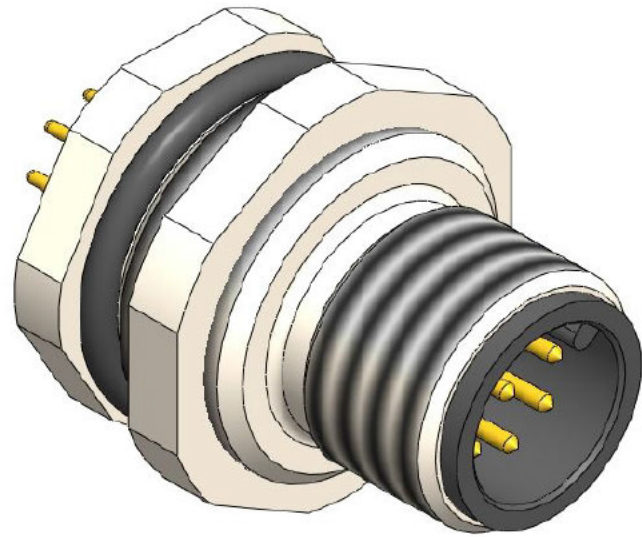
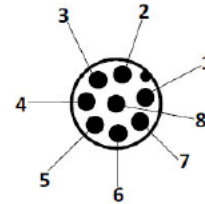


SM C10 PM12-RMBR8-S0



Pin Assignment

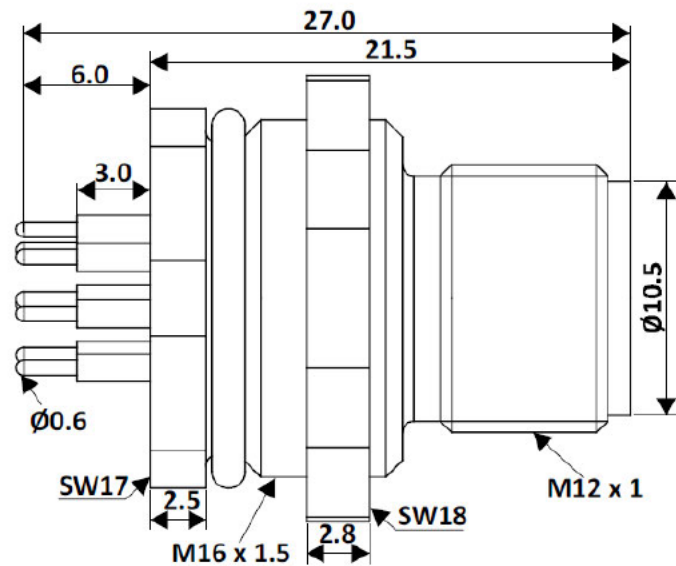


General Specification

Rated Operational Voltage	30 V
Current Rating	2A
Insulation Resistance	>= 100 MΩ
Temperature Range	-25°C ... +75°C
Degree of Protection	IP67

Material Specification

Housing Material	Brass Ni Plated
Contact	Cu-Zn
Contact Plating	Gold Flash
Contact Carrier	Nylon 66
O-Ring	Neoprene
Pole	8
Clamp Nut	M16 x 1.5



All dimensions are in mm.

TOLERANCE				
SCALE	UNIT			
DRAW	Walter	DATE	28.11.2018	TITLE SM C10 PM12-RMBR8-S0
CHECK	Braun	REV		
		DESCRIPTION M12 Male Rear Panel Mount		