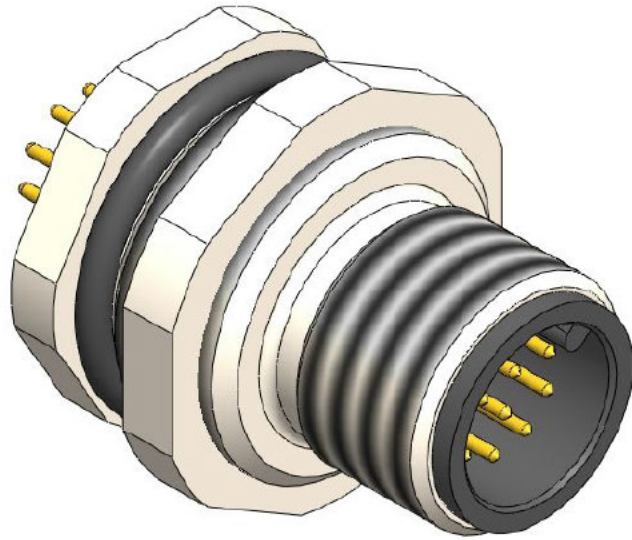
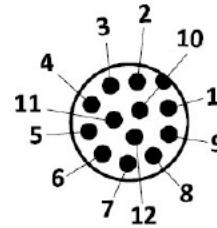


# SM C10 PM12-RMBR12-S0



## Pin Assignment

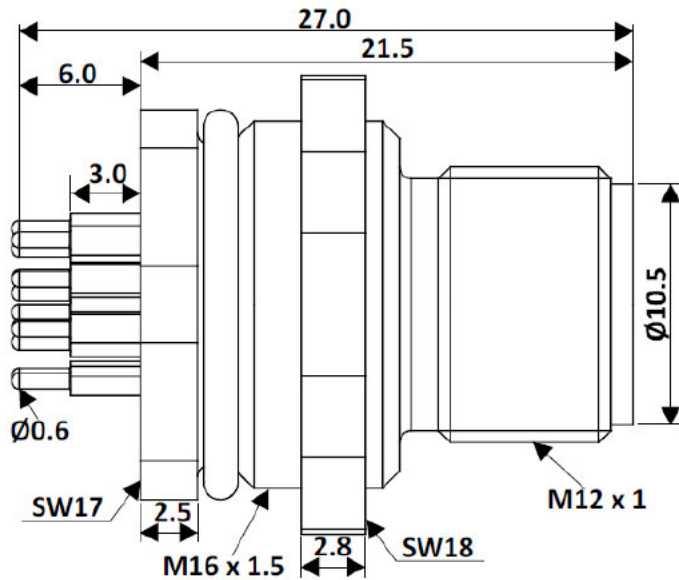


## General Specification



Rated Operational Voltage	30 V
Current Rating	1.5A
Insulation Resistance	>= 100 MΩ
Temperature Range	-25°C ... +75°C
Degree of Protection	IP67

## Material Specification

Housing Material	Brass Ni Plated
Contact	Cu-Zn
Contact Plating	Gold Flash
Contact Carrier	Nylon 66
O-Ring	Neoprene
Pole	12
Clamp Nut	M16x1.5



All dimensions are in mm.

TOLERANCE				
SCALE	UNIT			
DRAW	Walter	DATE	28.11.2018	<b>TITLE</b> <b>SM C10 PM12-RMBR12-S0</b>
CHECK	Braun	REV		
		<b>DESCRIPTION</b> M12 Male Rear Panel Mount		